

Specifications

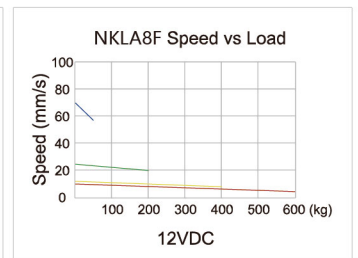
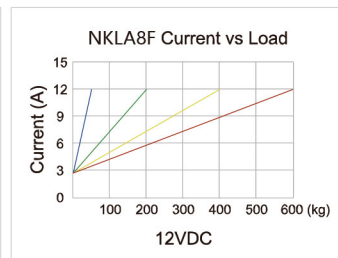
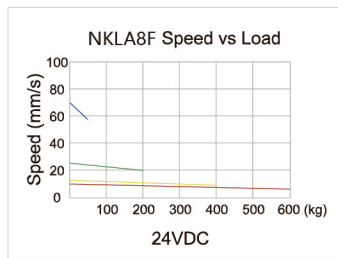
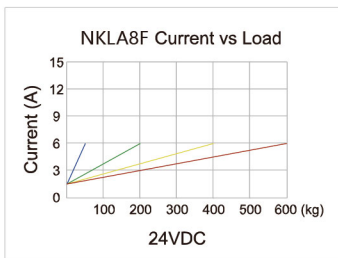
NKLA8F

- * Stroke Length: 50~1000mm
- * Color: Black/Silver grey
- * Limit Switch: Built-in
- * Overload Protection: Yes
- * Duty Cycle: 10%, max 2min continuous use
- * IP Grade: IP66
- * Operating Temperature: +5°C~+40°C
- * Standard: CE
- * Optional Part: Only push option

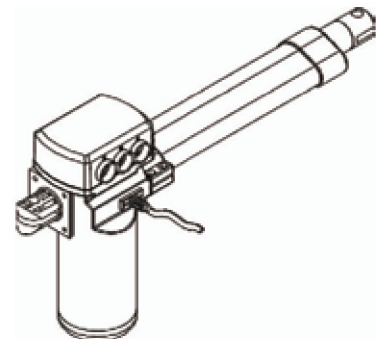
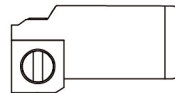
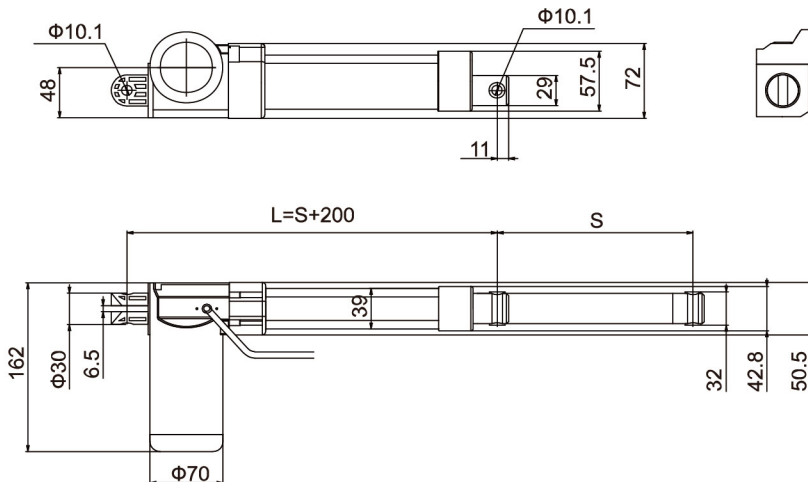


Load and Speed

Dynamic Load push(N)	4000	2000	1000	500
Dynamic Load pull(N)	4000	2000	1000	500
Static Load Push(N)	4000	2000	1000	500
Static Load Pull(N)	4000	2000	1000	500
Input(VDC)	24/12			
Speed at Full Load(mm/s)	9	18	45	55



Dimensions



mounted with control box