

Specifications

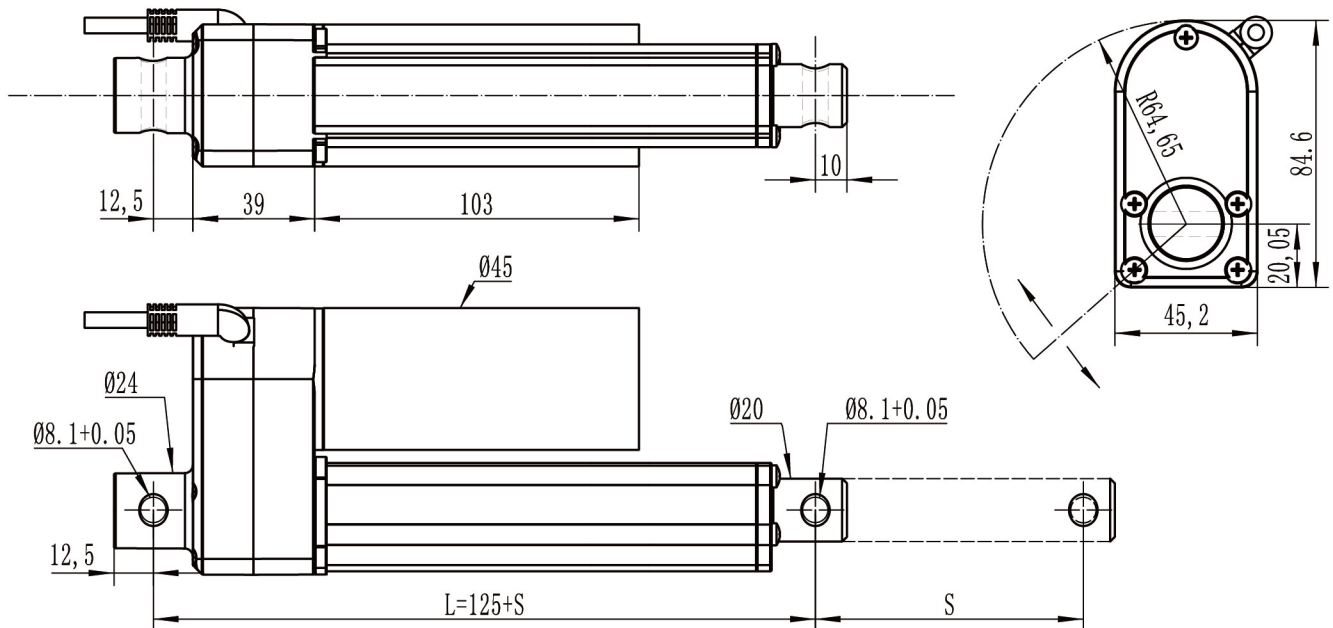
NKLA80

- * Stroke Length: 100~400mm
- * Color: Black/Grey
- * Limit Switch: built-in
- * IP Grade: IP65
- * Operating Temperature: -25°C~+65°C
- * Standard: ISO9001-2008
- * Option: Hall sensor
- * Min Installation Size: Stroke+125mm
Stroke+140mm (Stroke>300mm)

Load and Speed

| | | | | | |
|--------------------------|-------|------|------|------|-----|
| Dynamic Load push(N) | 3000 | 2500 | 1500 | 1000 | 500 |
| Dynamic Load pull(N) | 3000 | 2500 | 1500 | 1000 | 500 |
| Self-lock(N) | 3500 | 2500 | 980 | 540 | 300 |
| Current(A) | 1.4 | 1.4 | 1.2 | 1.2 | 1.2 |
| Input(VDC) | 12/24 | | | | |
| Speed with no load(mm/s) | 5 | 10 | 20 | 30 | 50 |
| Speed with load(mm/s) | 4 | 8 | 18 | 27 | 46 |

Dimensions



| | | | | | | | | | | |
|-------------------|-----|-----|-----|-----|-----|-----|-----|-----|-----|------|
| Stroke | 50 | 100 | 150 | 200 | 250 | 300 | 350 | 400 | 450 | (mm) |
| Installation size | 175 | 225 | 275 | 325 | 375 | 440 | 490 | 540 | 590 | (mm) |