

Specifications

NKLA75

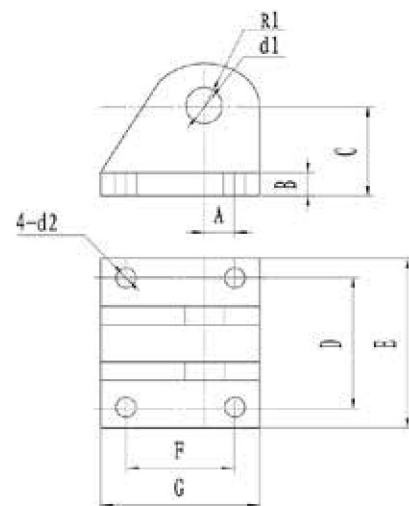
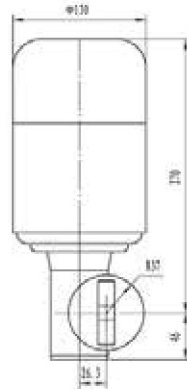
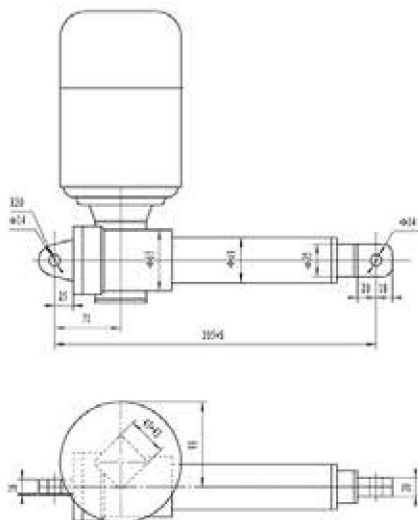
- * Stroke Length: 50~800mm
- * Color: Grey
- * Limit Switch: built-in
- * Duty Cycle: 10%, max 2min continuous use
- * Standard: CE
- * Max push load: 4500N
- * Speed with load: 3.5~82mm/s
- * Optional: Explosion-proof motor



Load and Speed

| | | | | | | |
|----------------------|---------|--------|--------|--------|--------|--------|
| Dynamic Load push(N) | 1300 | 1800 | 2500 | 3000 | 3500 | 4500 |
| Max stroke(mm) | 50~800 | 50~800 | 50~700 | 50~600 | 50~600 | 50~500 |
| Speed(mm/s) | 82 | 41 | 20 | 10 | 6.5 | 3.5 |
| Input(VDC) | 220/380 | | | | | |

Dimensions



Mounting bracket

Installation Bracket Size Table

| d1 | d2 | R1 | A | B | C | D | E | F | G |
|----|----|----|----|----|-----|-----|-----|-----|-----|
| 30 | 17 | 42 | 30 | 20 | 100 | 140 | 185 | 105 | 143 |