

Specifications

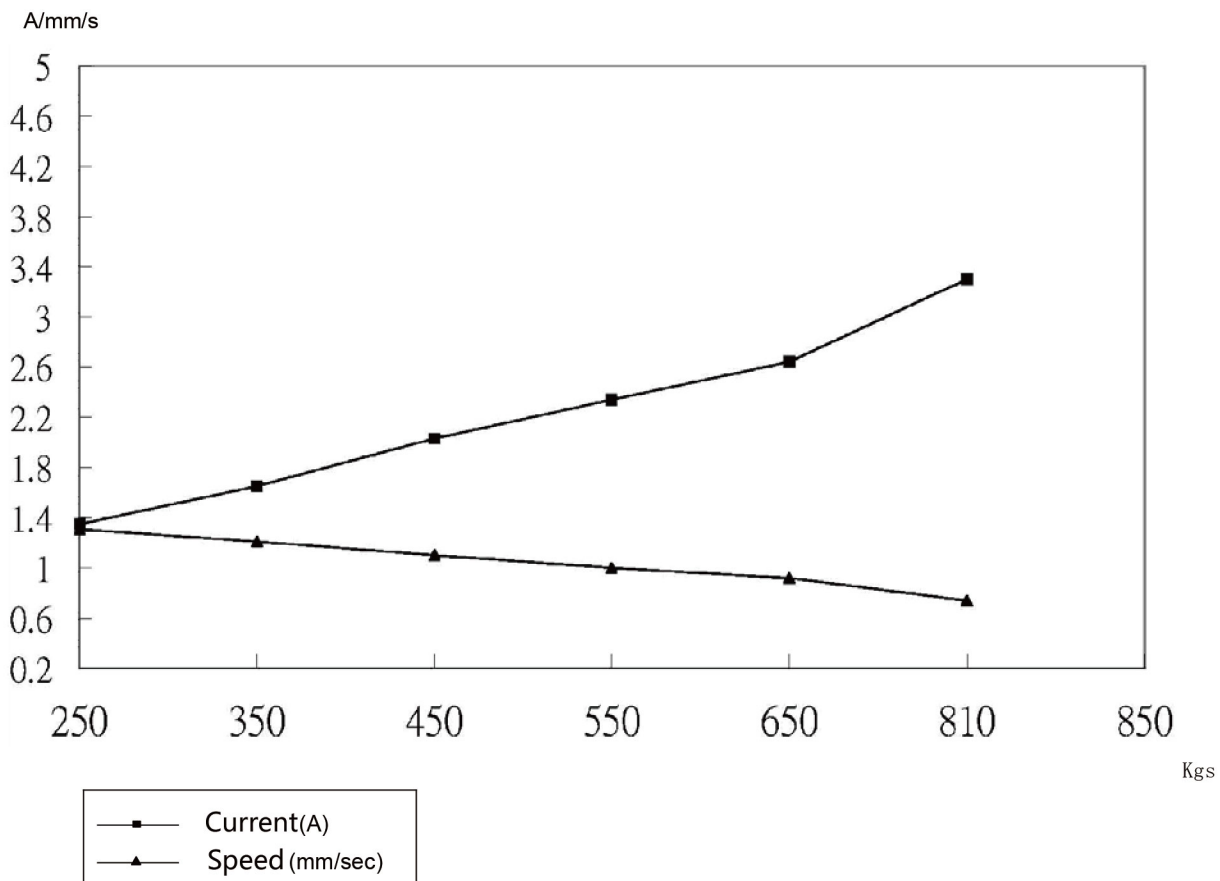
NKLA73

- * Stroke Length: 50~1000mm
- * Color: Grey
- * Limit Switch: built-in
- * Duty Cycle: 20%
- * Operating Temperature: -26°C~+65°C
- * Signal Feedback: Reed Switch/Potentiometer
- * Material: Metal gear; Copper nut
- * Max push load: 8000N
- * Max static load: 20000N
- * Rated load : 6000N
- * Input: 12/24/36VDC
- * Speed with load: 3mm/s
- * Current with load: ≤4.0A

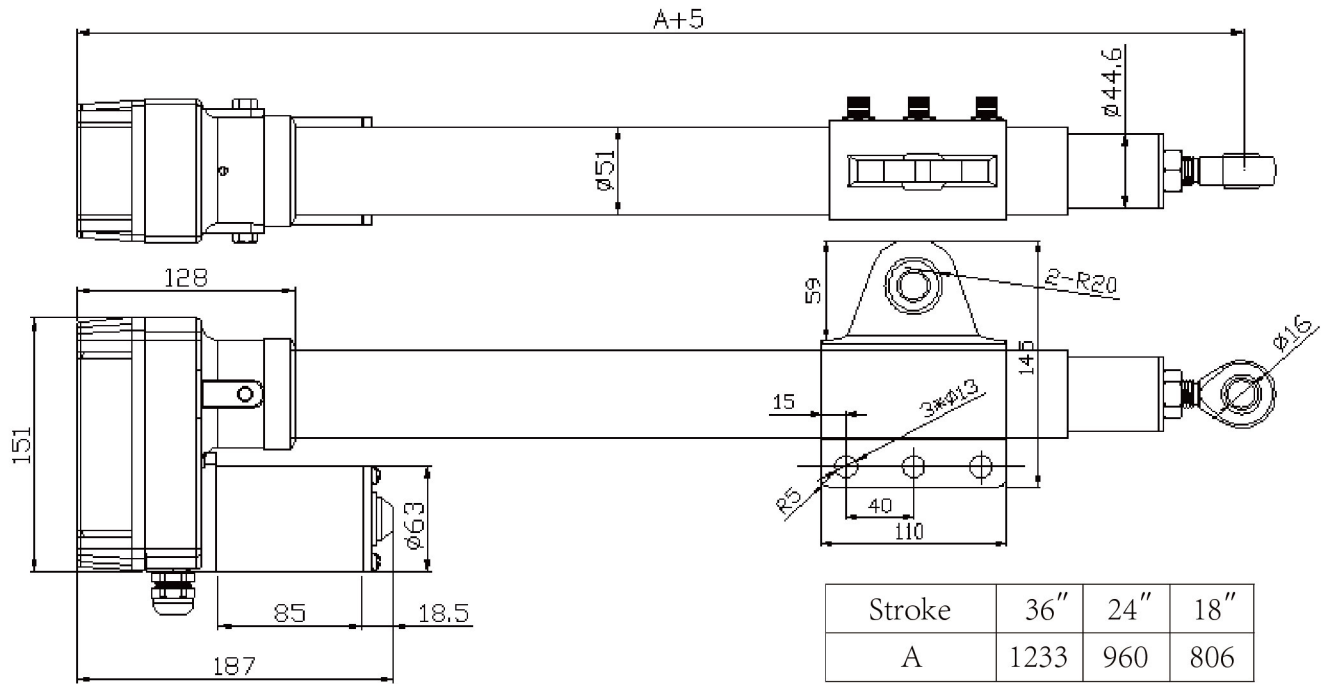


Load and Speed

Load-Current/Speed (NKLA73-24V)



Dimensions



Connection Head Diagram:

