

Specifications

NKLA67

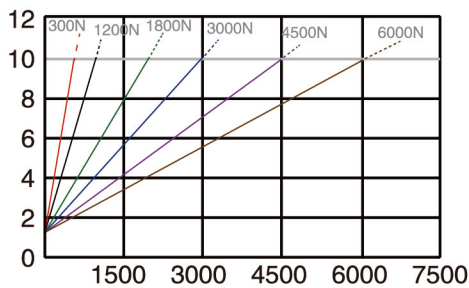
- * Stroke Length: 50~400mm
- * Color: Black
- * IP Grade: IP66, waterproof
- * Operating Temperature: -20°C~+60°C
- * Noise: 75dB
- * Option: Hall sensor; Limit switch



Load and Speed

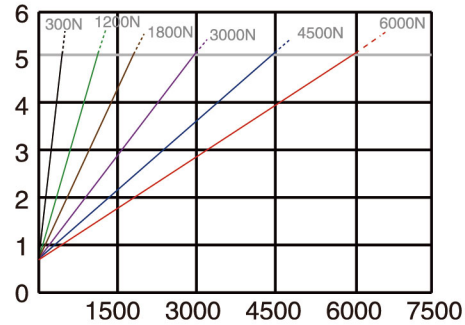
Dynamic Load push(N)	300	1200	1800	3000	4500	5000	6000
Dynamic Load pull(N)	300	1200	1800	3000	4500	5000	6000
Self-lock(N)	600	2400	3600	6000	8000	7500	8000
Input(VDC)	12/24						
Speed(mm/s)	55	15	10	6	4	3	3

Current (12V)



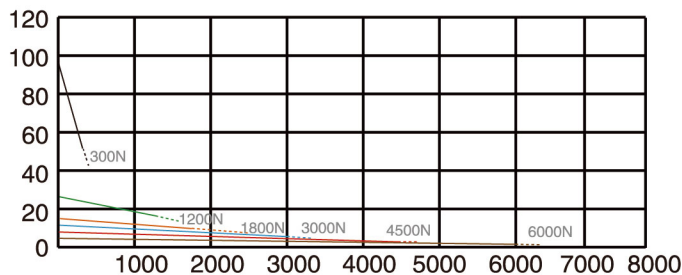
Force(N) Pull-push force

Current (24V)



Force(N) Pull-push force

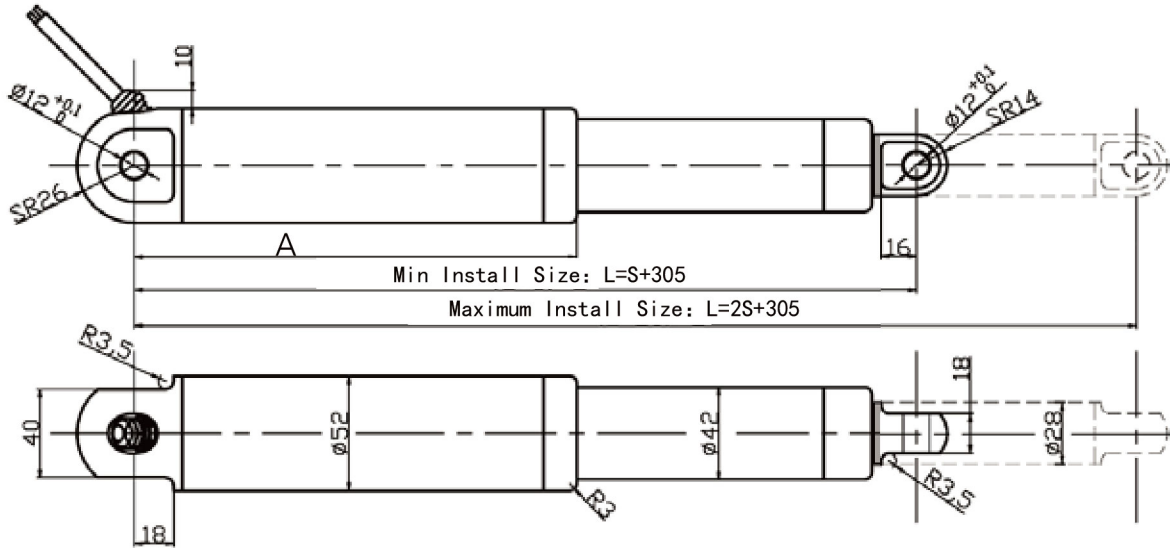
Speed (mm/s)



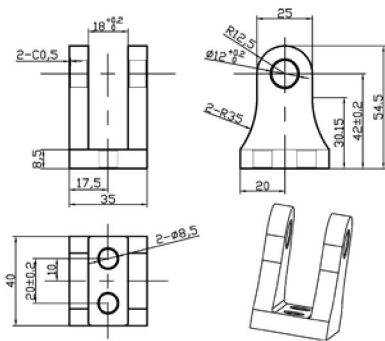
Force(N) Pull-push force

Dimensions

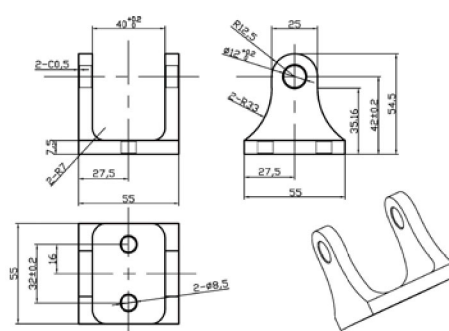
Standard Size:



NKLA67 [mm]	[mm]	Stroke Switch	Hall Sensor	Overcurrent Protector
Min Install Size	L+S	305+S	325+S	325+S
	A	201	221	221



Front mounting bracket



Rear mounting bracket