

Specifications

NKLA58

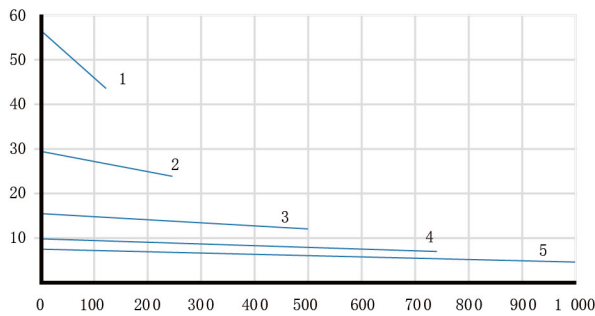
- * Stroke Length: 50~300mm
- * Color: Silver Grey
- * Limit Switch: Built-in
- * Overload Protection : Yes
- * Duty Cycle: 25%, max 2min continuous use
- * IP Grade: IP67
- * Operating Temperature: -40°C~+85°C
- * Standard: CE



Load and Speed

Dynamic Load push(N)	120	240	500	750	1000
Dynamic Load pull(N)	120	240	500	750	1000
Input(VDC)	12				
Speed(mm/s)	45~65	24~30	13~16	8~10	6~8
Current Consumption(A)	4.0	3.5	3.2	3.0	2
Input(VDC)	24				
Speed(mm/s)	45~66	24~30	13~16	8~10	6~8
Current Consumption(A)	2.2	2.0	1.8	1.8	1.6

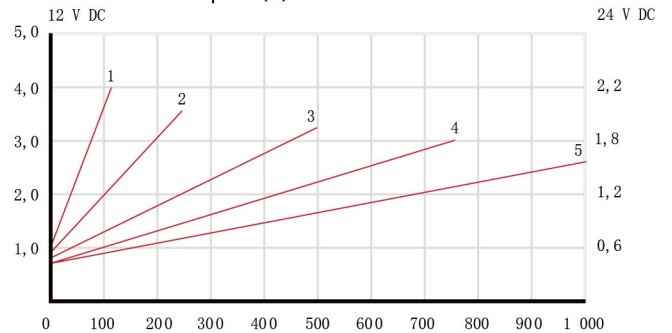
Speed (mm /s)



Speed - Load

Load (N)

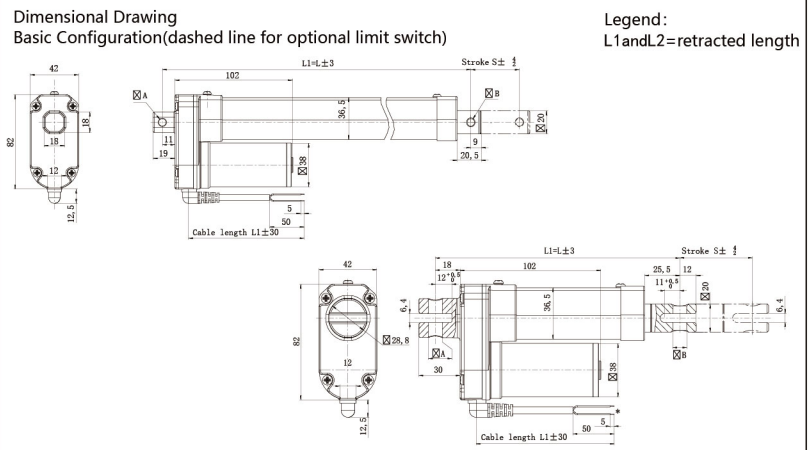
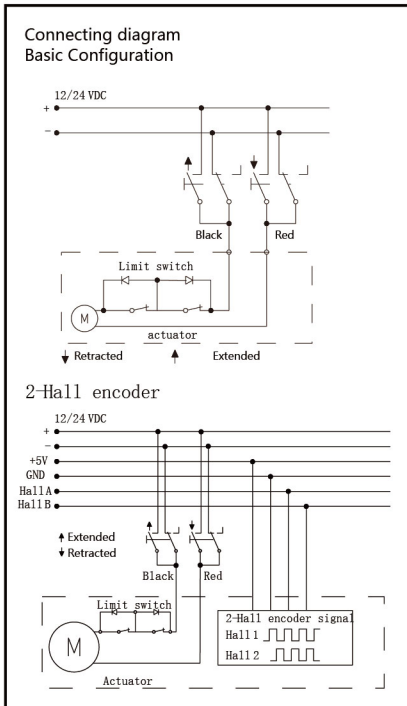
Current Consumption(A)



Current-Load

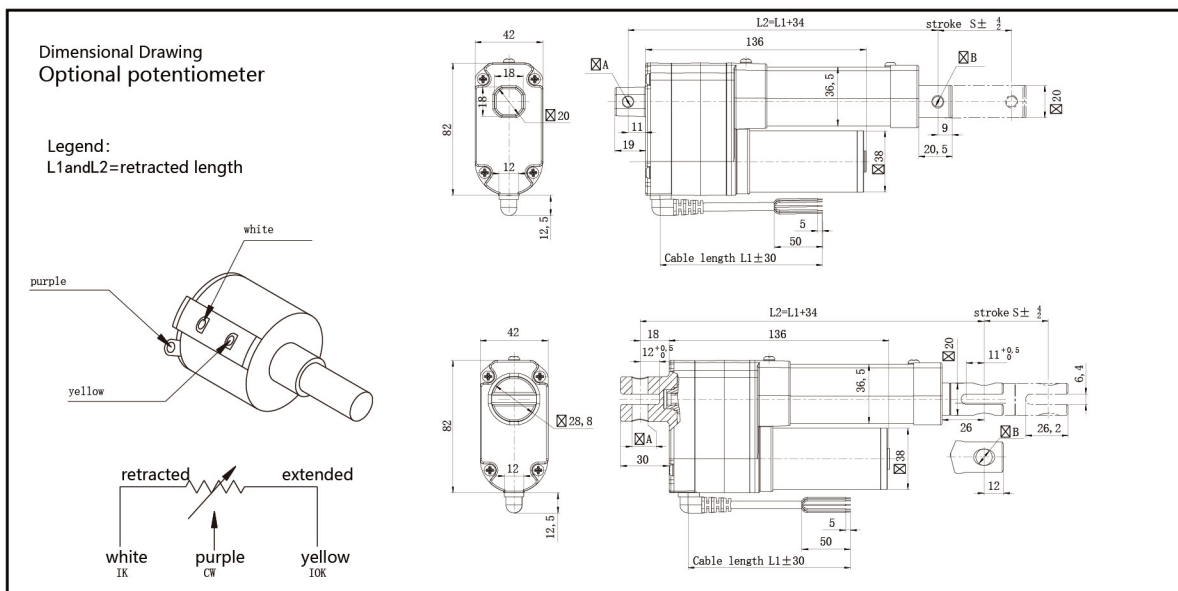
Load (N)

Dimensions1



Stroke (mm)	50	100	150	200	250	300
L1 retracted length	158	209	260	311	362	413
retracted length with fork head	179	230	281	332	383	434
Resolution of Encoder						
Gear rotation ratio	5:1	10:1	20:1	30:1	40:1	
Mm/pulse	0.3	0.15	0.075	0.05	0.038	

Dimensions2



stroke (mm)	50	100	150	200	250	300
retracted length L2	192	243	294	345	396	447
retracted length with fork head	213	264	315	366	417	468
Resolution of potentiometer						
stroke (mm)	50~80		80~160		160~300	
Minimum Resistance of Potentiometer	700~1300 Ω		700~1300 Ω		700~1300 Ω	
Resolution of potentiometer	100 Ω/mm		50 Ω/mm		16,6 Ω/mm	