

Specifications

NKLA56

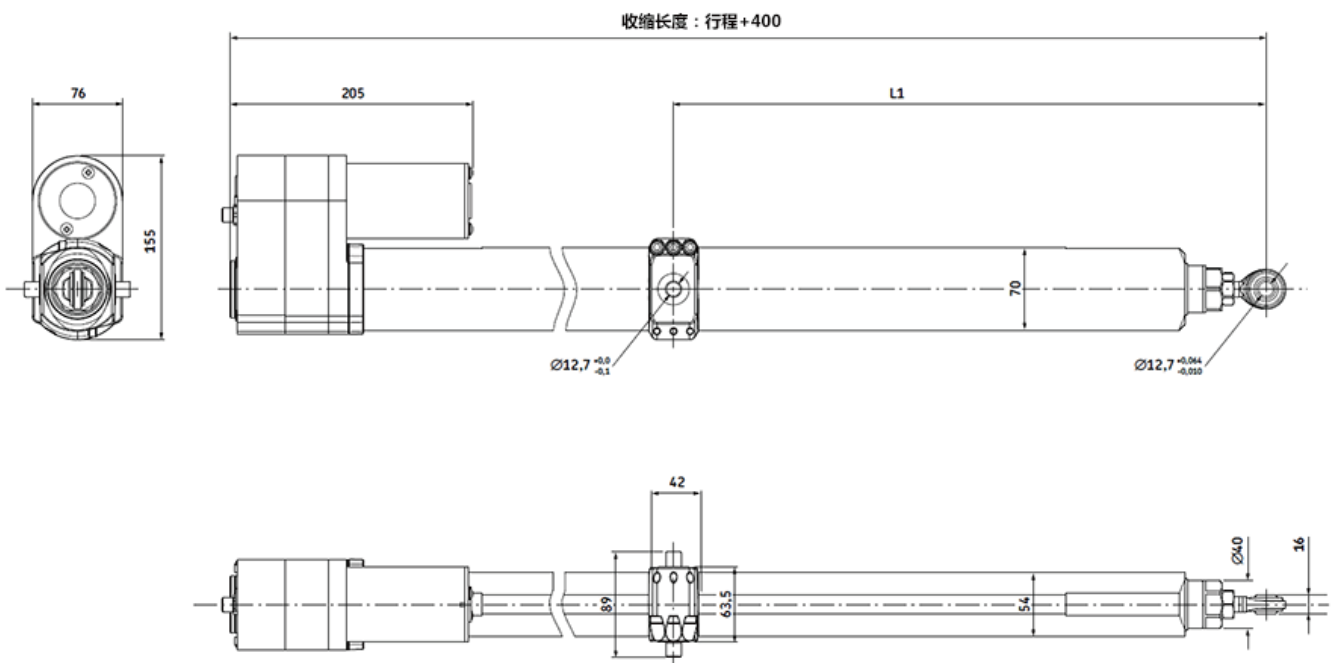
- * Stroke Length: 50~1500mm
- * Color: Silver Grey
- * Limit Switch: Option
- * IP Grade: IP65
- * Operating Temperature: -20°C~+60°C
- * Standard: CE
- * For solar tracking



Load and Speed

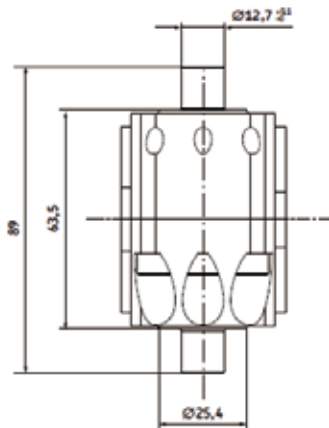
Dynamic Load(N)	5000
Static Load(N)	20000
Input(VDC)	12/24/36
Speed(mm/s)	3.7/1.8

Dimensions



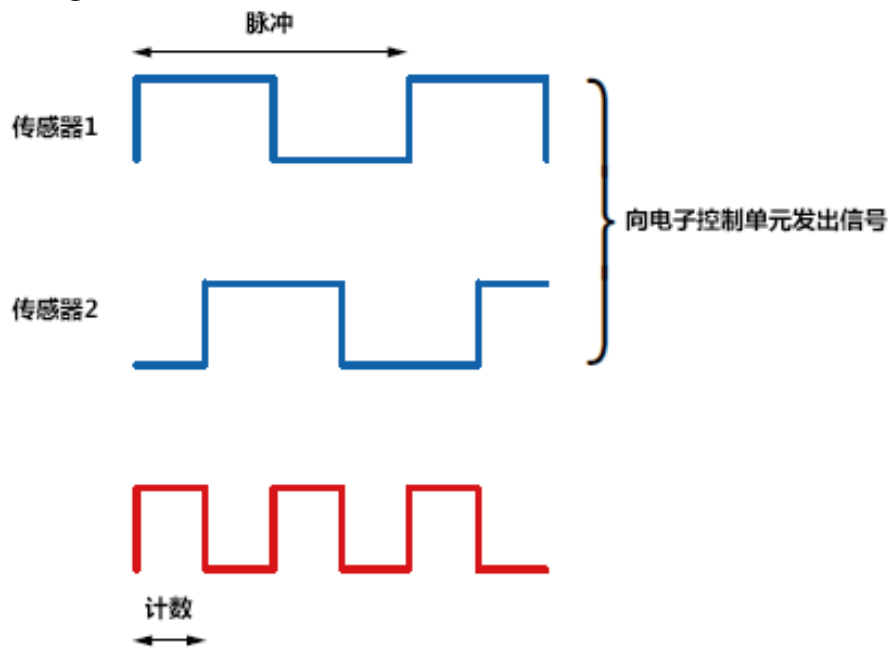
Additional Chart

Installation design of trunnion:



Trunnion 12.7mm

Encoder signal:



Connection diagram:

