

Specifications

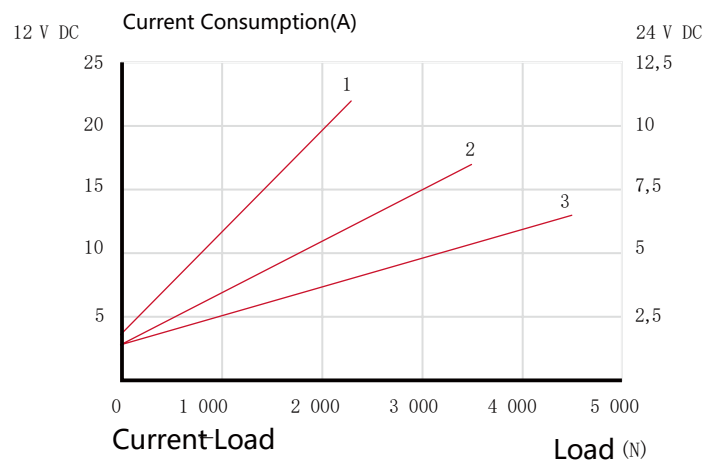
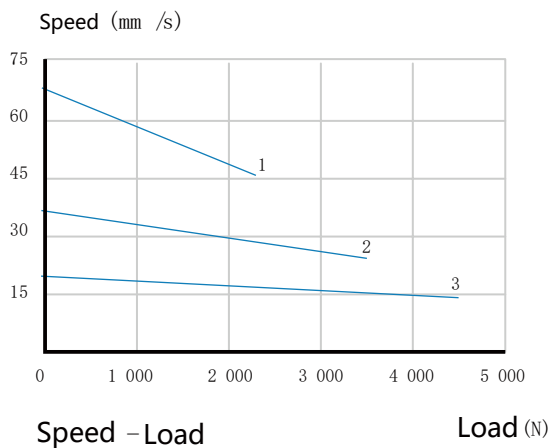
NKLA55

- * Stroke Length: 102~610mm
- * Color: Black
- * Limit Switch: Built-in
- * Overload Protection : Yes
- * Duty Cycle: 25%, max 2min continuous use
- * IP Grade: IP66
- * Operating Temperature: -40°C~+85°C
- * Standard: CE
- * High efficiency ball screw

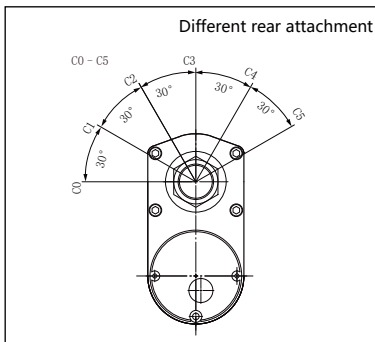
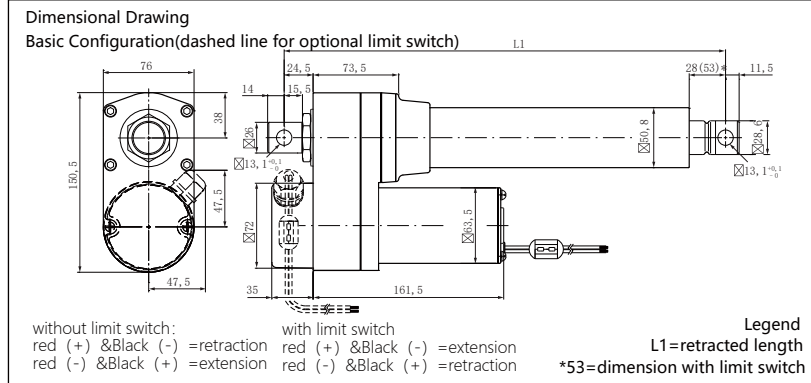
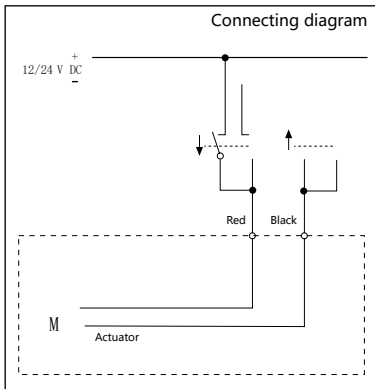


Load and Speed

Dynamic Load push(N)	2300	3500	4500
Dynamic Load pull(N)	2300	3500	4500
Input/Frequency(VAC/Hz)	12		
Speed(mm/s)	45~65	24~36	14~19
Current Consumption(A)	22	17	13
Input/Frequency(VAC/Hz)	230/50		
Speed(mm/s)	45~65	24~36	14~19
Current Consumption(A)	11	8.5	6.5



Dimensions1



With limit switch(1)

Stroke(mm)	102	153	204	305	457	610
L1 Retracted Length	393	444	495	659	811	964

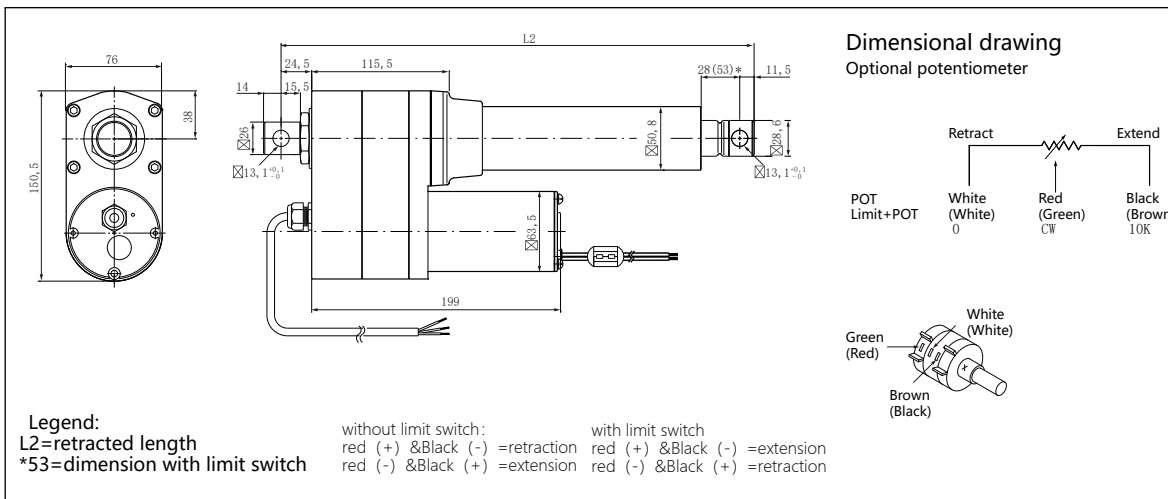
Without limit switch(2)

Stroke(mm)	102	153	204	305	457	610
L1 Retracted Length	317	368	419	521	735	888

(1)Tolerance: S and L1=±5.0mm(if S≥305mm, S=±7.5mm)

(2)Tolerance: S=±2.5mm and L1=±3.8mm)

Dimensions2



Stroke(mm)	With limit switch(1)						Without limit switch(2)					
	102	153	204	305	457	610	102	153	204	305	457	610

L2 Retracted length	431	482	533	697	849	1002	355	406	457	559	773	926
---------------------	-----	-----	-----	-----	-----	------	-----	-----	-----	-----	-----	-----

(1)Tolerance: S and L2=±5.0mm(if S≥305mm, S=±7.5mm) (2)Tolerance: S=±2.5mm and L2=±3.8mm

Potentiometer resolution

Stroke(mm)	102	153	204	305	457	610
------------	-----	-----	-----	-----	-----	-----

Ohm/mm	59,0	59,0	29,5	29,5	9,84	9,84
--------	------	------	------	------	------	------