

Specifications

NKLA54

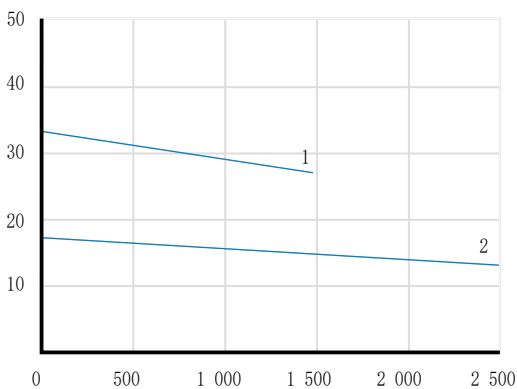
- * Stroke Length: 102~610mm
- * Color: Black
- * Limit Switch: Built-in
- * Overload Protection : Yes
- * Duty Cycle: 25%, max 2min continuous use
- * IP Grade: IP66
- * Operating Temperature: -40°C~+85°C
- * Standard: CE
- * Screw rotation



Load and Speed

Dynamic Load push(N)	1500	2500
Dynamic Load pull(N)	1500	2500
Input/Frequency(VAC/Hz)	12	
Speed(mm/s)	27~33	13~17
Current Consumption(A)	16	14
Input/Frequency(VAC/Hz)	24	
Speed(mm/s)	27~33	13~17
Current Consumption(A)	8	7

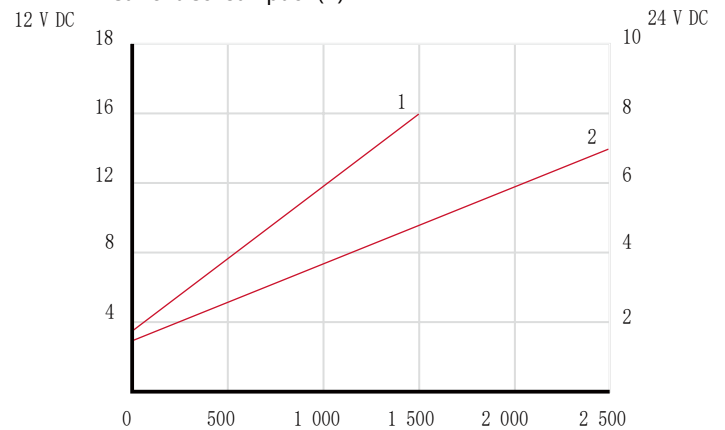
Speed (mm /s)



Speed - Load

Load (N)

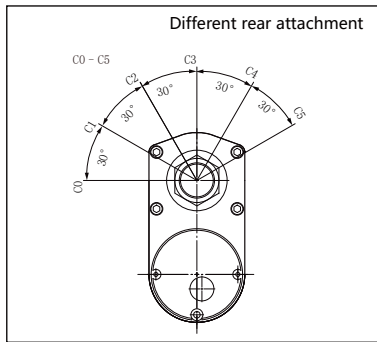
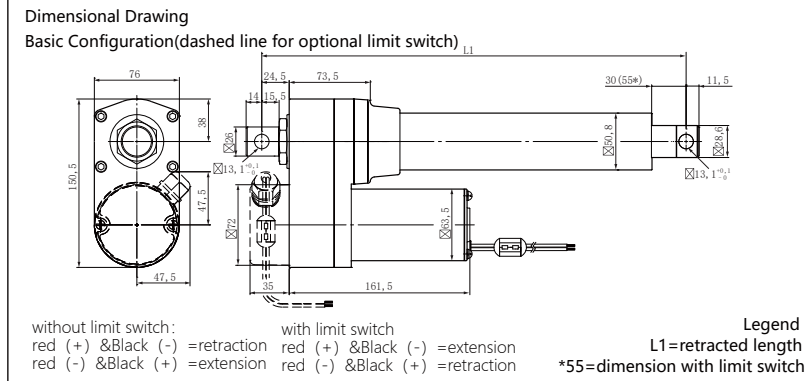
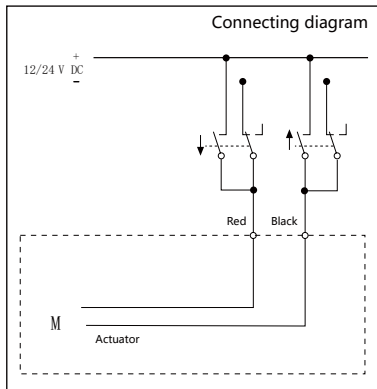
Current Consumption(A)



Current-Load

Load (N)

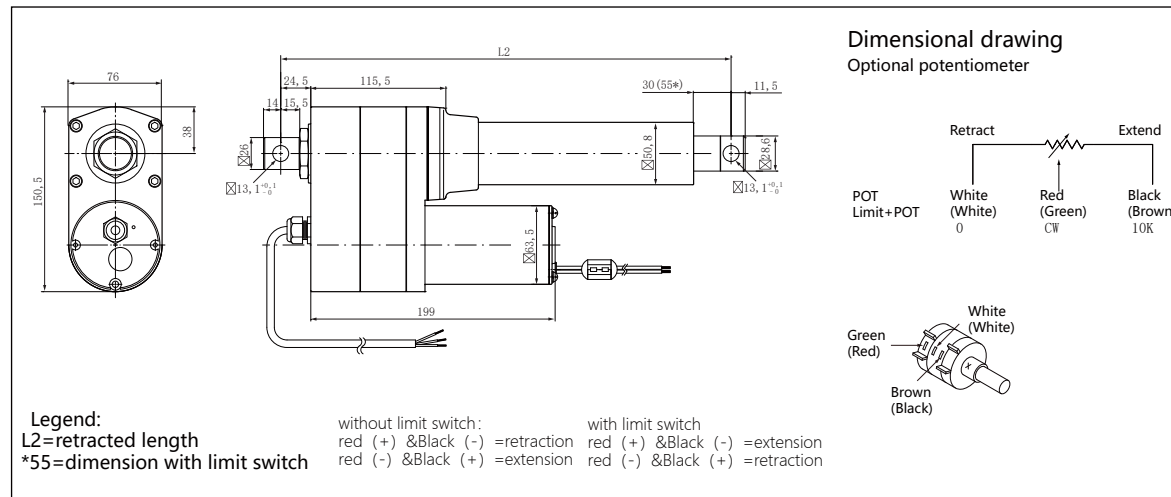
Dimensions1



With limit switch(1)						
Stroke(mm)	102	153	204	305	457	610
L1 Retracted Length	338	389	440	592	744	897
Without limit switch(2)						
Stroke(mm)	102	153	204	305	457	610
L1 Retracted Length	262	313	364	465	668	821

(1)Tolerance: S and L1=±5.0mm(if S≥305mm, S=±7.5mm) (2)Tolerance: S=±2.5mm and L1=±3.8mm

Dimensions2



With limit switch(1)							Without limit switch(2)					
Stroke(mm)	102	153	204	305	457	610	102	153	204	305	457	610
L2 Retracted length	376	427	478	630	782	935	300	351	402	503	706	859

(1)Tolerance: S and L2=±5.0mm(if S≥305mm, S=±7.5mm) (2)Tolerance: S=±2.5mm and L2=±3.8mm

Potentiometer resolution						
Stroke(mm)	102	153	204	305	457	610
Ohm/mm	59, 0	59, 0	29, 5	29, 5	9, 84	9, 84