

## Specifications

### NKLA53

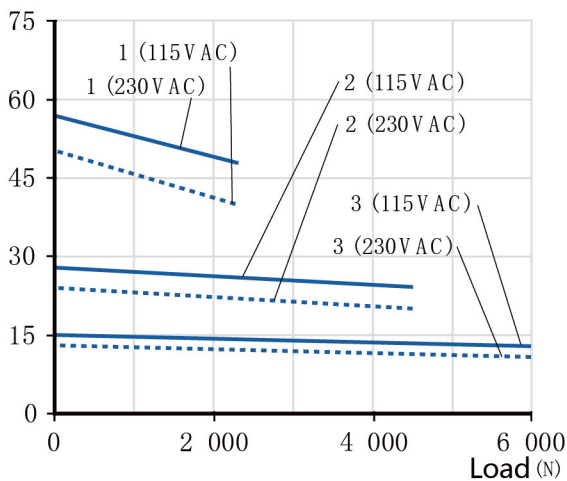
- \* Stroke Length: 102~610mm
- \* Color: Black
- \* Limit Switch: Built-in
- \* Overload Protection : Yes
- \* Duty Cycle: 25%, max 2min continuous use
- \* IP Grade: IP65
- \* Operating Temperature: -26°C~+65°C
- \* Standard: CE
- \* High efficiency ball screw



## Load and Speed

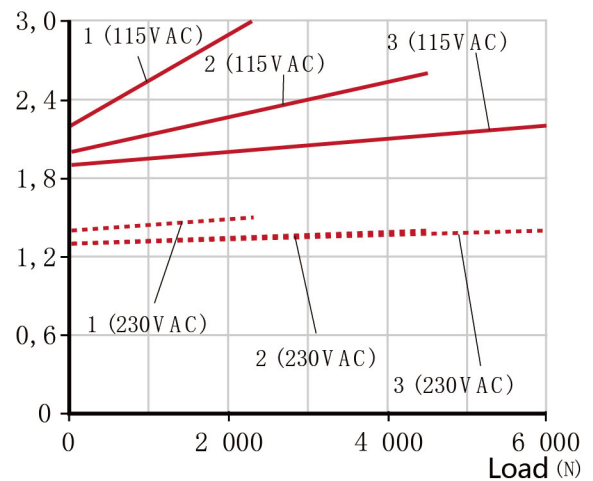
Dynamic Load push(N)	2300	4500	6000
Dynamic Load pull(N)	2300	4500	6000
Input/Frequency(VAC/Hz)	115/60		
Speed(mm/s)	48~57	22~28	13~15
Current Consumption(A)	3	2.6	2.2
Input/Frequency(VAC/Hz)	230/50		
Speed(mm/s)	40~50	20~24	11~13
Current Consumption(A)	1.5	1.4	1.4

Speed (mm /s)



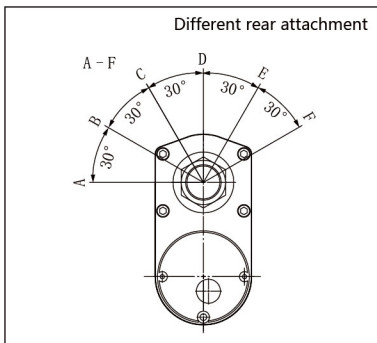
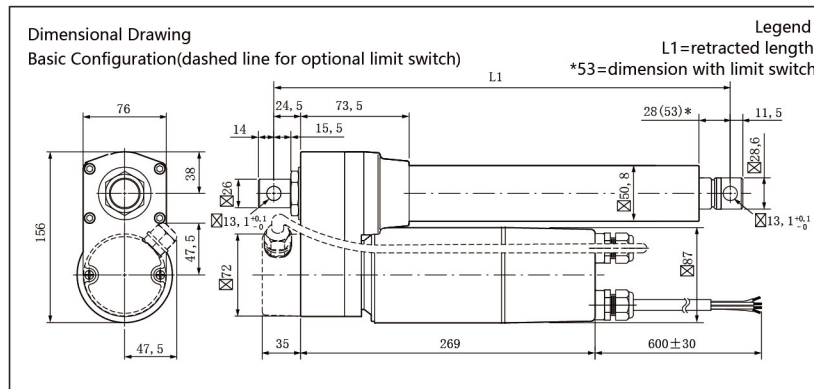
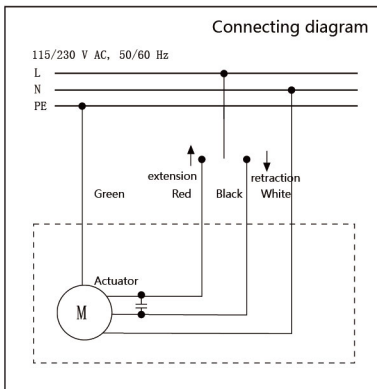
Speed - Load

Current Consumption(A)



Current-Load

## Dimension1



With limit switch(1)

Stroke(mm)	102	153	204	305	457	610
------------	-----	-----	-----	-----	-----	-----

L1 Retracted Length	444	444	495	659	811	964
---------------------	-----	-----	-----	-----	-----	-----

Without limit switch(2)

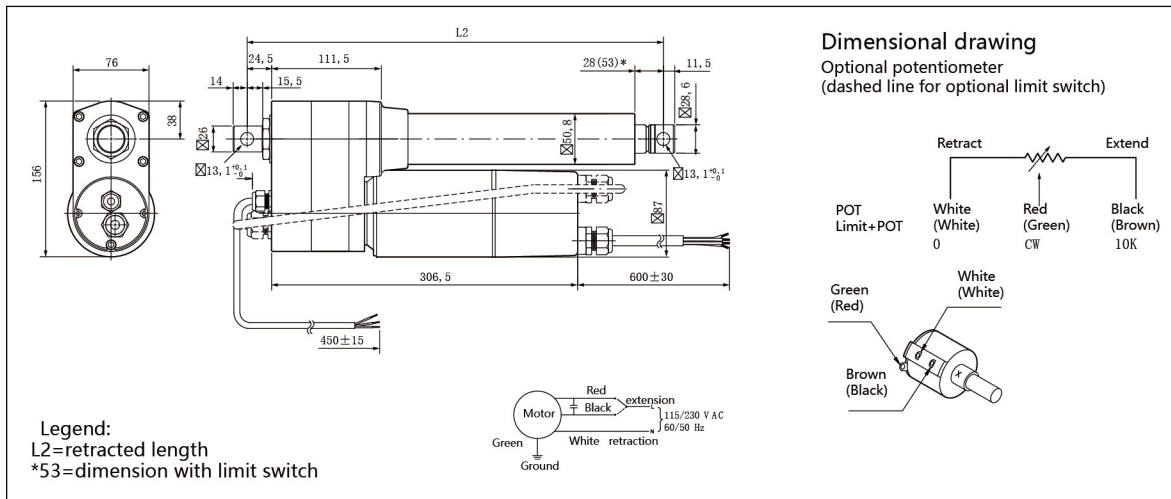
Stroke(mm)	102	153	204	305	457	610
------------	-----	-----	-----	-----	-----	-----

L1 Retracted Length	380	419	419	521	735	888
---------------------	-----	-----	-----	-----	-----	-----

(1)Tolerance: S and L1=±5.0mm(if S≥305mm, S=±7.5mm)

(2)Tolerance: S=±2.5mm and L1=±3.8mm)

## Dimension2



With limit switch(1)

Stroke(mm)	102	153	204	305	457	610	102	153	204	305	457	610
------------	-----	-----	-----	-----	-----	-----	-----	-----	-----	-----	-----	-----

Without limit switch(2)

L2 Retracted length	482	482	533	697	849	1 002	418	457	457	559	773	926
---------------------	-----	-----	-----	-----	-----	-------	-----	-----	-----	-----	-----	-----

(1)Tolerance: S and L2=±5.0mm(if S≥305mm, S=±7.5mm) (2)Tolerance: S=±2.5mm and L2=±3.8mm

Potentiometer resolution

Stroke(mm)	102	153	204	305	457	610
------------	-----	-----	-----	-----	-----	-----

Ohm/mm	59, 0	59, 0	29, 5	29, 5	9, 84	9, 84
--------	-------	-------	-------	-------	-------	-------