

Description

NKLA108

* NKLA108 has a maximum thrust of 12000N and a maximum pull of 6000N, providing a good solution for the patient lift. It shows its superior performances in the aspect of high load capacity, excellent IP rating, low noise level as well as some safety features, among which are:

1. Brake to increase friction so that strengthen the selflocking ability
2. Safety nut to avoid unintended rapid lowering due to the damage of the nut;
3. Electronic limit switches and mechanical limit
4. Manual lowering to ensure nursing carers could lower the actuator when power supplier has been cut or other emergency occurs.

* These features make NKLA108 a good choice to be applied in patient lift.



Specifications

- * Load thrust up to 12000N
- * Max. load pull 6000N
- * Color: Grey
- * Manual clevis: Red
- * Max IP rating: IP66
- * 24V DC permanent magnet motor
- * Stroke Length: 100-350mm(±2mm) 10000N
100-200mm(±2mm) 12000N
- * Noise level ≤ 50dB(ambient level ≤ 35dB)
- * Safety nut: necessary
- * Electrical limit switches or signal switch: built-in
- * Mechanical limit switches: upper limit and end limit
- * Wire length and plug optional
- * Options: 1. Built-in hall sensor
2. Manual descent in emergency
3. Only push
- * Compatible with: NKCB62 for patient lifter
- * Duty cycle: 10%, continuous work for most 2 minutes with a pause of 18 minutes
- * Using temperature: 5°C-40°C
- * Atmospheric Pressure: 700-1060 hPa

Dimensions

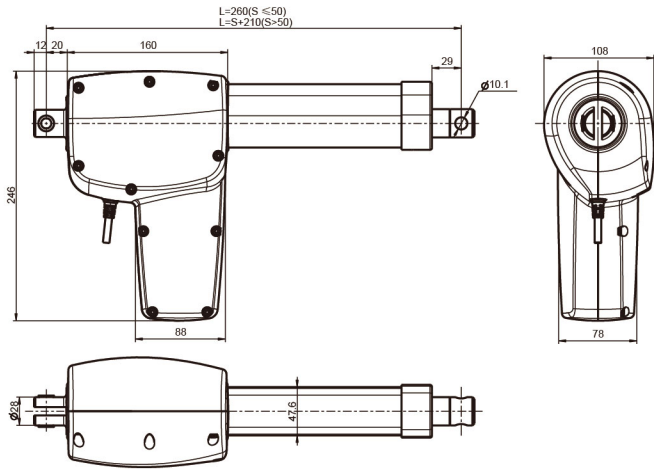
Max Load Push(N)	12000	12000	10000	10000
Self-Lock Load(N)	12000	12000	10000	10000
Spindle pitch(mm)	8	8	10	10
Power Supply(VDC)	24	29(NKCB62)	24	29(NKCB62)
Speed at No Load(mm/s)	5	6	7	8.5
Speed at Full Load(mm/s)	3.8	4.5	5.0	6.0
Current at Full Load(A)	6	6	7	7

* These data above are typical ones

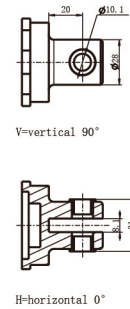
* When the actuators are not running, control boxes could short-circuit the motor terminals (electrodes). Such solutions give actuators higher self-locking load.

Dimensions

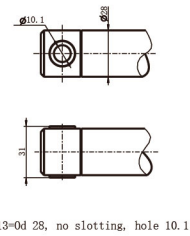
Dimensions with standard top clevis



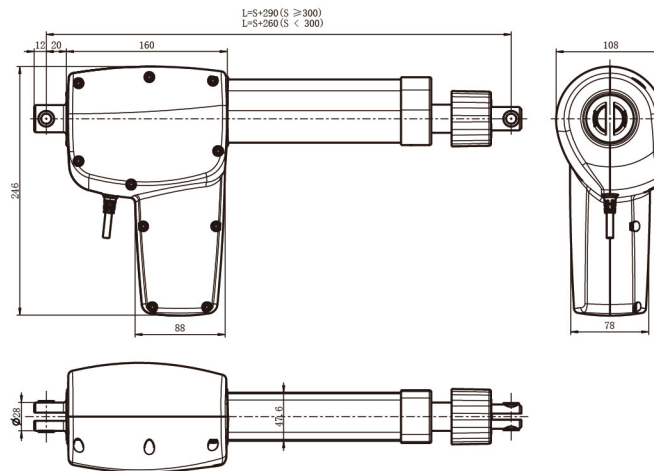
End Clevis



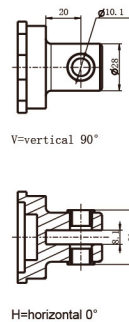
Top Clevis



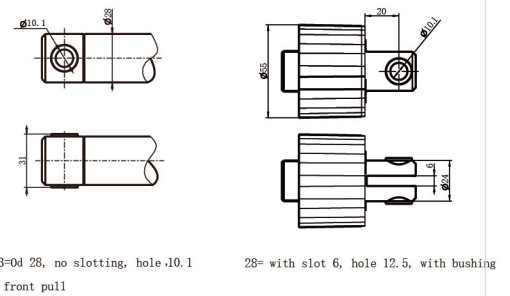
Dimensions with manual lowering



End Clevis



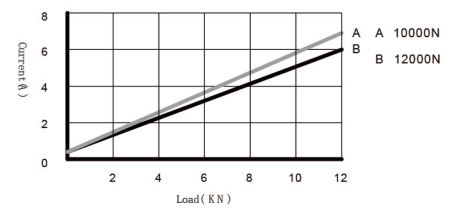
Top Clevis



Installing Dimensions of 10000N (spindle pitch 2.5mm)

	Stroke Length(S)	Retracted Length
Standard	0-350mm(±2mm)	L=S+260(S≤50) L=S+210(50<S≤350)
With manual lowering	50-350mm(±2mm)	L=S+265(50≤S<300) L=S+290(300≤S≤350)
Safety nut does not matter		

Performance Data (24V DC) Current VS Load



Installing Dimensions of 12000N (spindle pitch of 4mm)

	Stroke Length(S)	Retracted Length
Standard	0-200mm(±2mm)	L=260(S≤50) L=S+210(50<S≤200)
With manual lowering	50-200mm(±2mm)	L=S+265
Safety nut does not matter		

