

**Specifications**

**NKLA46A**

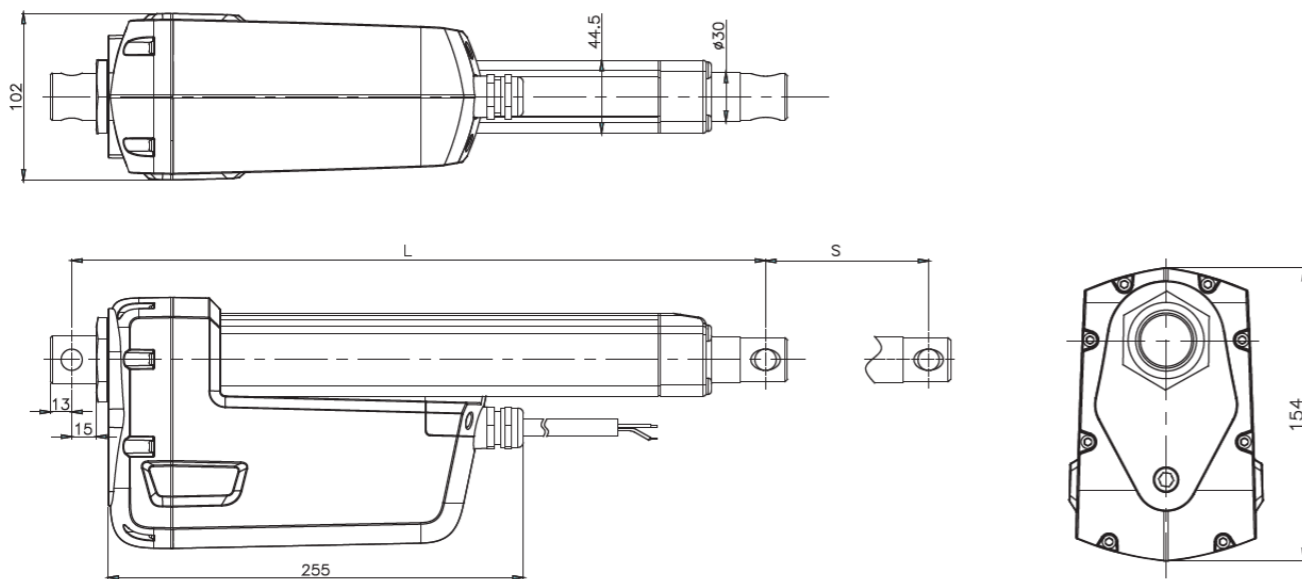
- \* Stroke Length: 50~600mm
- \* Limit Switch: Built-in
- \* Overload Protection : Yes
- \* Duty Cycle: 20%, max 4min continuous use
- \* IP Grade: IP66
- \* Operating Temperature: -40°C~+65°C
- \* Standard: CE
- \* Option : Potentiometer , hall sensor



**Load and Speed**

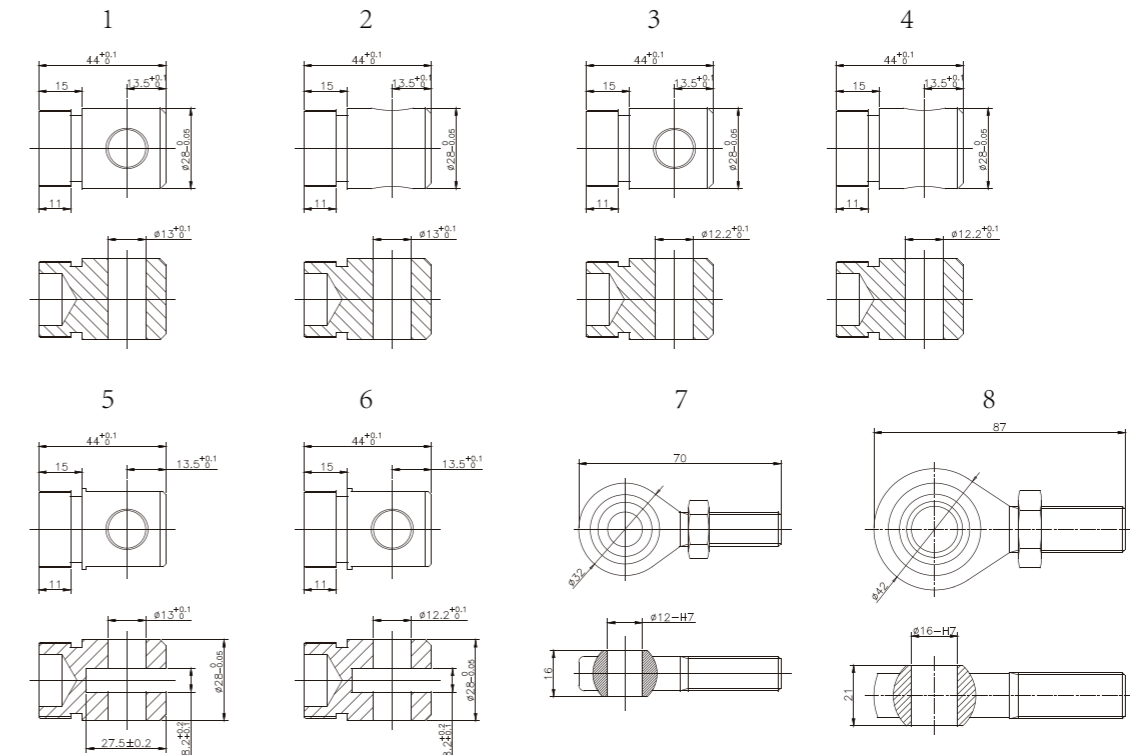
Dynamic Load push(N)	12000	11000	7500	10000	7000	5000	6500	4500	3200
Dynamic Load pull(N)	12000	11000	7500	10000	7000	5000	6500	4500	3200
Self-lock Push(N)	15000	12000	9000	12000	8000	6000	8000	5500	4000
Pitch(mm)	4			8			12		
10kΩ potentiometer full standard stroke	176mm e.g.: 100mm stroke=5.7kΩ			352mm e.g.: 200mm stroke=5.7kΩ			528mm e.g.: 500mm stroke=9.4kΩ		
Input(VDC)	12/24								
Speed at No Load(mm/s)	6.5	8.5	13	13	17	25	20	25	37
Speed at Full Load(mm/s)	4.5	6	9	7	9.5	14	11	13	23

**Dimensions**



Note: (1) 50≤Stroke≤300, L=S+200 (Minimum installation distance 300)  
300<Stroke≤600, L=S+250  
(2) Hole direction is 0° /180°

**Front Installation**



**Back Installation**

