

Product Feature

NKCB11, NKCB12 NKCB13, NKCB14

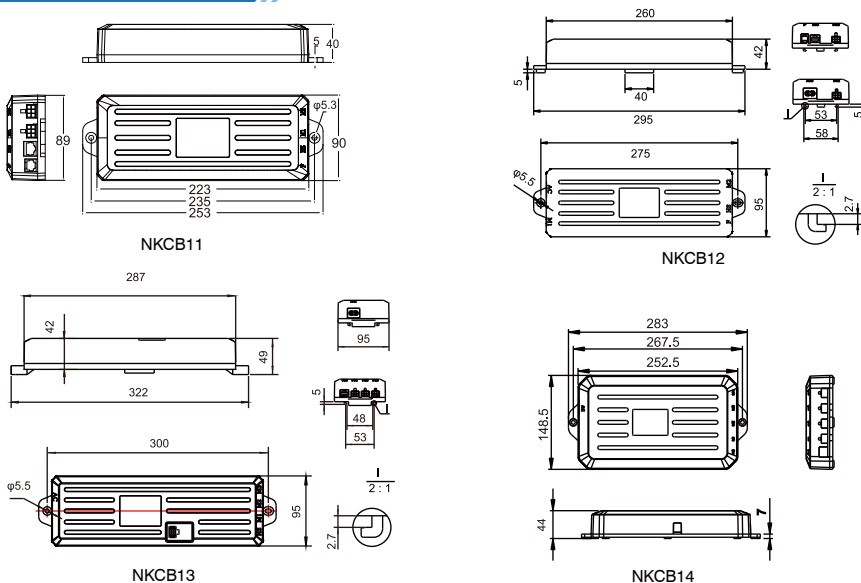
- * Standby power consumption less than 0.2W
- * Efficient slow start
- * Intelligent design, automatic anti resistance tracking
- * Quantified design, light and convenient



Specifications

Model	NKCB11	NKCB12	NKCB13	NKCB14
Number of Actuator	1-2	1-2	1-3	1-4
Output(VDC)	29	33		
Input(VAC)	120/230	120/230	120/230	100-240
Transformer power(W)	200	400	500	600
Plug of Actuator	Six core ET straight line			
Plug of Operator	Eight core crystal insert			
Power Plug	Option			
Color	Black			
Duty Cycle	2 minutes continuous use			
Overload Protection	Current protection			
Cable Length	3m (Option)			
IP Grade	IP20			
Operating Temperature	+5°C~+40°C			
Standard	UL/TUV-mark (CE)	UL/TUV-mark(CE)/PSE/KC		UL

Dimensions



Product Feature

NKCB15

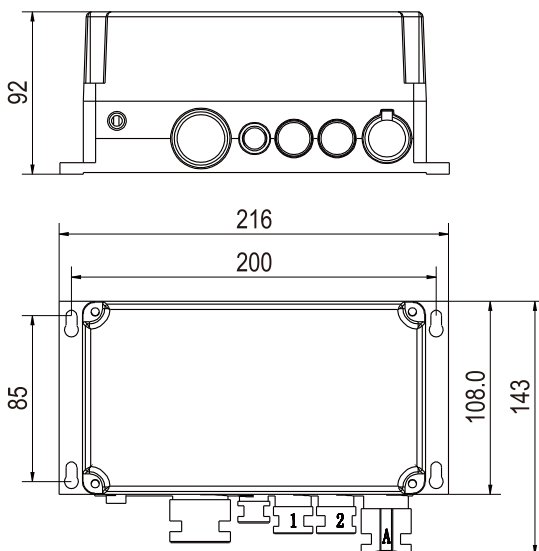
- * Connect 1-2 numbers of actuator
- * IP54 UL approval, NKCB15 has option of backup battery built-in



Parameter

Number of actuator	1-2 outputs	Duty cycle	10%, max 2min continuous use
Output Voltage(VDC)	24	Overload protection	Combined protection
Input Voltage(VAC)	110/230	Cable length	3m
Transformer power(W)	86/150/200	IP Grade	IP54
Actuator plugs	Microphone plug	Operation temperature	+5°C~+40°C
Hand/Foot-Control plugs	Small straight plug	Standard	EN60601/UL60601/CE
Power plug	Option		
Color	Black or grey		

Dimensions



Specifications

NKCB19

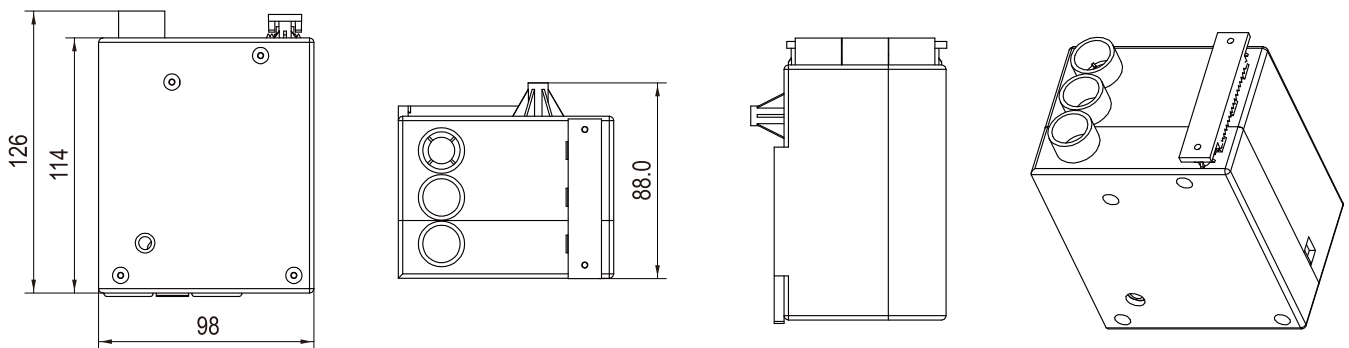
- * Connection of max 3 actuators and 1 operating elements
- * Max 50W power
- * Economical design for furniture market



Parameter

Number of actuator	1-3 outputs	Duty cycle	10%, max 2min continuous use
Output Voltage(VDC)	24	Overload protection	PTC protection
Input Voltage(VAC)	110/230	Cable length	3m
Transformer power(W)	50	IP Grade	IP43
Actuator plugs	DIN 4 bend plug	Operation temperature	+5°C~+40°C
Hand/Foot-Control plugs	Bend plug	Standard	UL60601/CE
Power plug	Option	Optional Features	Batteries built-in
Color	Black or Grey		RF receiver built-in

Dimensions



Specifications

NKCB20

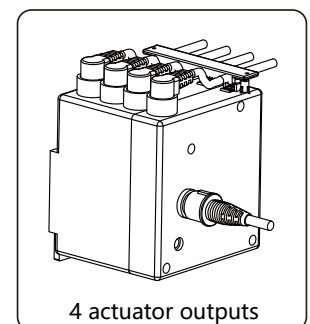
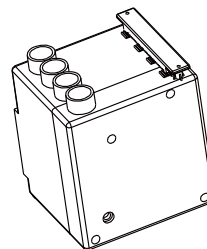
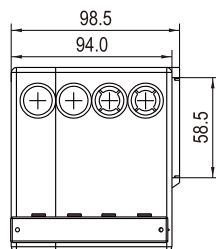
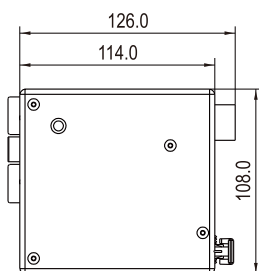
- * Connection of max 4 actuators and 1 operating elements
- * Max 100W power
- * Economical design for furniture market



Parameter

Number of actuator	1-4 outputs	Duty cycle	10%, max 2min continuous use
Output Voltage(VDC)	24/29	Overload protection	PTC protection
Input Voltage(VAC)	110/230	Cable length	3m
Transformer power(W)	100	IP Grade	IP43
Actuator plugs	DIN 4 bend plug	Operation temperature	+5°C~+40°C
Hand/Foot-Control plugs	Bend plug	Standard	CE
Power plug	Option	Optional Features	Batteries built-in
Color	Black or Grey		RF receiver built-in

Dimensions



Specifications

NKCB21

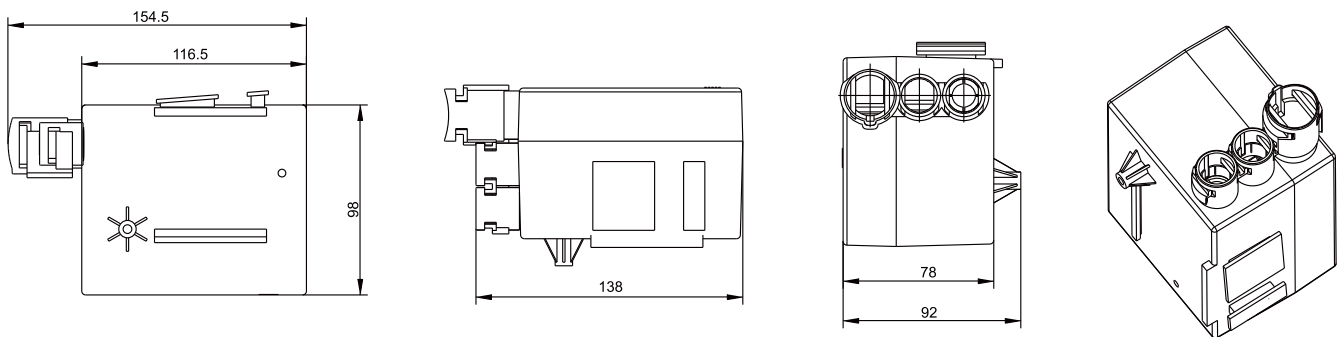
- * Connection of max 2 actuators and 1 operating elements
- * Max 50W power
- * Economical design for furniture market



Parameter

Number of actuator	1-2 outputs	Duty cycle	10%, max 2min continuous use
Output Voltage(VDC)	24	Overload protection	PTC protection
Input Voltage(VAC)	110/230	Cable length	3m
Transformer power(W)	50	IP Grade	IP43
Actuator plugs	DIN 4 motor straighted plug	Operation temperature	+5°C~ +40°C
Hand/Foot-Control plugs	Straight plug	Standard	CE
Power plug	Option	Optional Features	Batteries built-in
Color	Black or grey		

Dimensions



Specifications

NKCB24 NKCB25

- * NKCB24 connection of max 4 actuators and 1 operating element
- * NKCB25 connection of max 6 actuators and 1 operating element
- * Adjust the voltage 100V to 240V
- * Power supply with SMPS, more light and handy
- * NKCB24 could mount with actuator NKLA4-8 and NKLA12-13 types



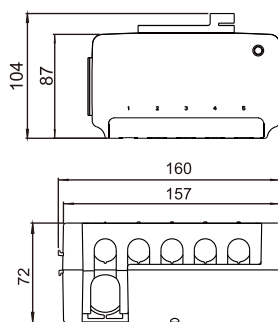
NKCB24

NKCB25

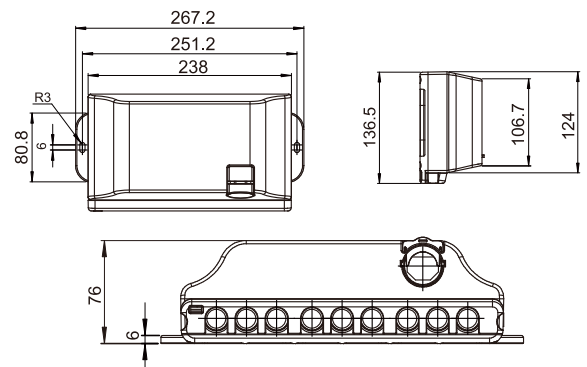
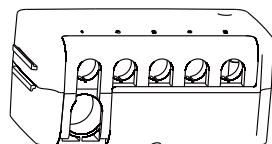
Parameter

Model	NKCB24	NKCB25	Model	NKCB24	NKCB25
Number of actuator	1-4 outputs	1-6 outputs	Duty cycle	10%, max 2min continuous use	
Output Voltage(VDC)	29	29	Overload protection	PTC protection	Combined or separate protection
Input Voltage(VDC)	100-240		Cable length	3m	
Transformer power(W)	50/100	100/200	IP Grade	IP54	IP66
Actuator plugs	Motor straight plug		Operation temperature	+5°C~+40°C	
Hand/Foot-Control plugs	Motor straight plug		Standard	UL60601/CE	
Power plug	Option		Optional Features	Batteries External	
Color	Black or grey			RF receiver built-in	

Dimensions



NKCB24



NKCB25

Specifications

NKCB27/NKCB27 (Battery)

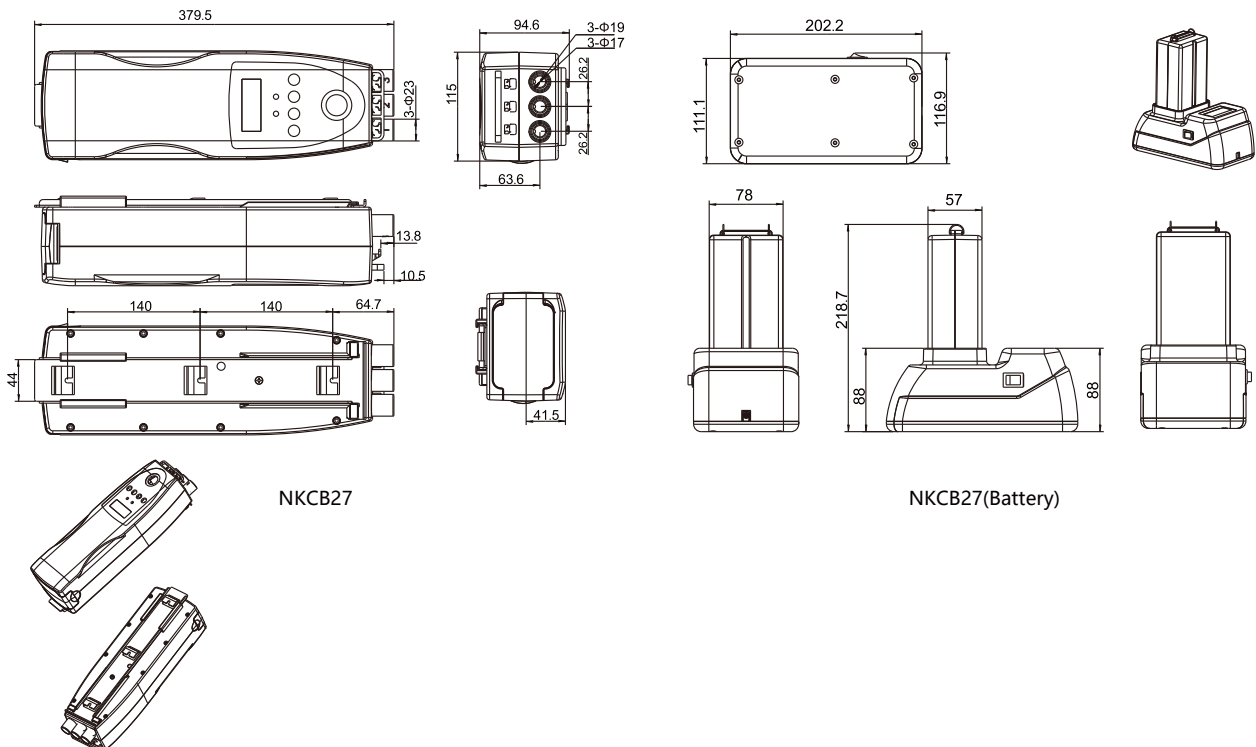
- * Wall mount charger
- * Li-ion battery 2.2AH or 4.4AH option
- * Power indicator both on handset and display, easy to read
- * Connection of max 2 actuators and 1 operating element
- * Acoustic battery alarm when low power



Parameter

Number of actuator	1-2	Duty Cycle	10%, max 2min continuous use
Output Voltage(VDC)	24VDC/2.2/4.4Ah lithium batteries	Overload Protection	Single-extra protection
Actuator Plug	5-core motor direct insertion	Operation Temperature	+5°C~+40°C
Operator Plug	9-core motor direct insertion	Battery Energy Display	LCD
Color	Grey	Feature	Emergency button to stop the actuator movement
Function	After a certain number of putter movements are set in the program, the orange indicator light flashes to reach the set value of the program; the orange indicator light is always on, reminding the customer of regular maintenance		

Dimensions



Specifications

NKCB27-B

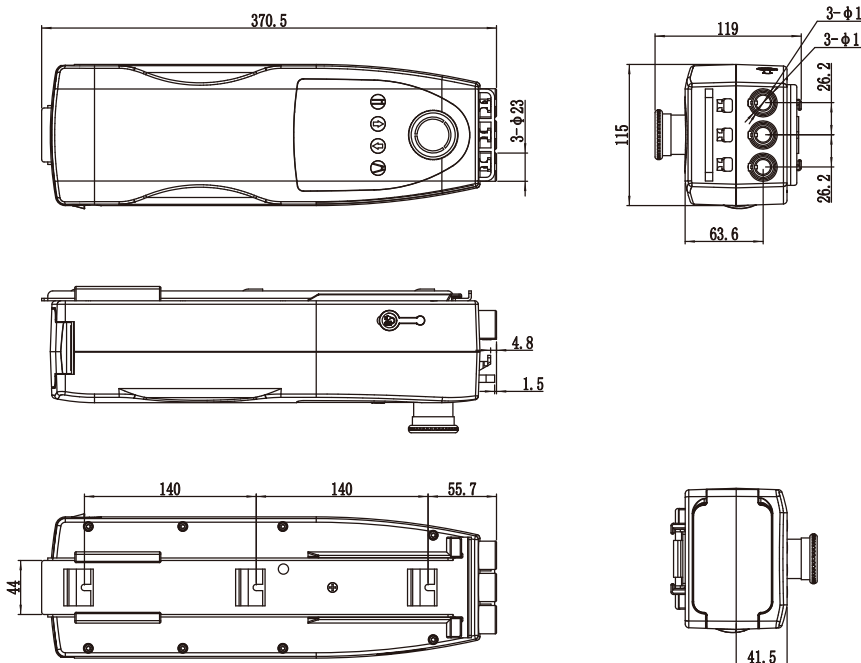
- * Wall mount charger
- * Li-ion battery 2.2AH or 4.4AH option
- * Power indicator on handset, easy to read
- * Connection of max 2 actuators and 1 operating element
- * Acoustic battery alarm when low power



Parameter

Number of Actuator	1-2
Output(VDC)	24VDC/2.2/4.4Ah lithium batteries
Color	Grey
Duty Cycle	10%, max 2min. continuous use
Overload Protection	Overcurrent protection,LED indicator
Operation Temperature	+5°C~+40°C
Battery Energy Display	Three LED displays on the operator
Emergency Stop Switch	Emergency button to stop the actuator movement
Special Functions	Low power indicator on handset and warning on control box Internal charger

Dimensions



Specifications

NKCB40

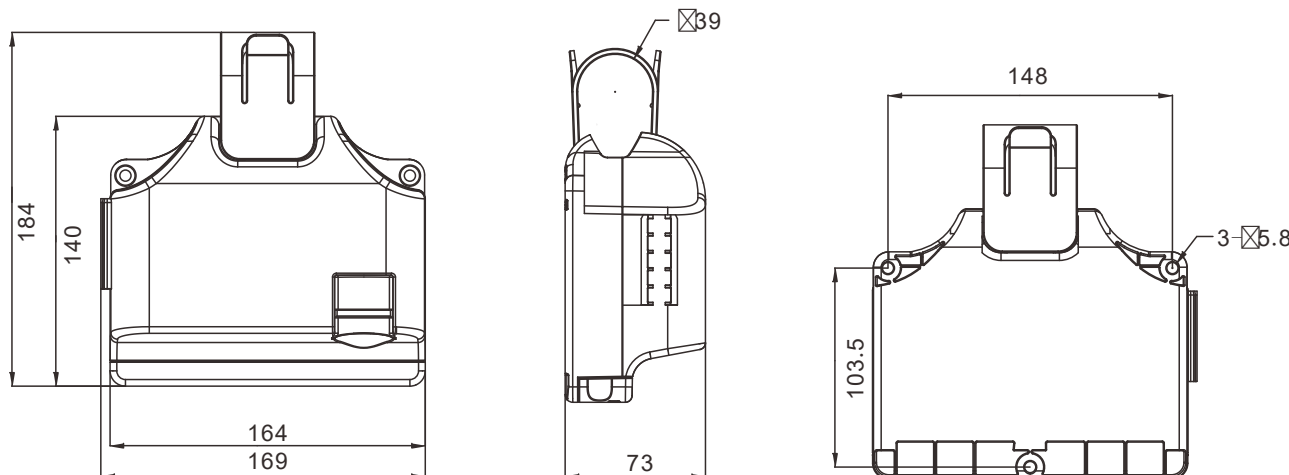
* NKCB40 is new design control box, with SMPS power supply, can used for all over the world, use for medical&rehabcare area, can be mounted with actuator NKLA110



Parameter

- * Connect 1-4 actuators, 1 battery box and 1 controller
- * Input voltage: 100-240VAC
- * Output voltage: 24VDC
- * Color: Black and Grey
- * Overcurrent protection: total current protection or single channel current protection
- * Transformer power 50W,100W
- * Exchangeable mains cables 3m for world-wide compatibility
- * Can be with mounting hole and screw into machine
- * Can connect back up battery box
- * IP Grade: IP54/IP66
- * Duty cycle: Max. 10% or 2 min. continuous use followed by 18 min. not in use.
- * Ambient temperature: +5° to +40°C

Dimensions



Specifications

NKCB61

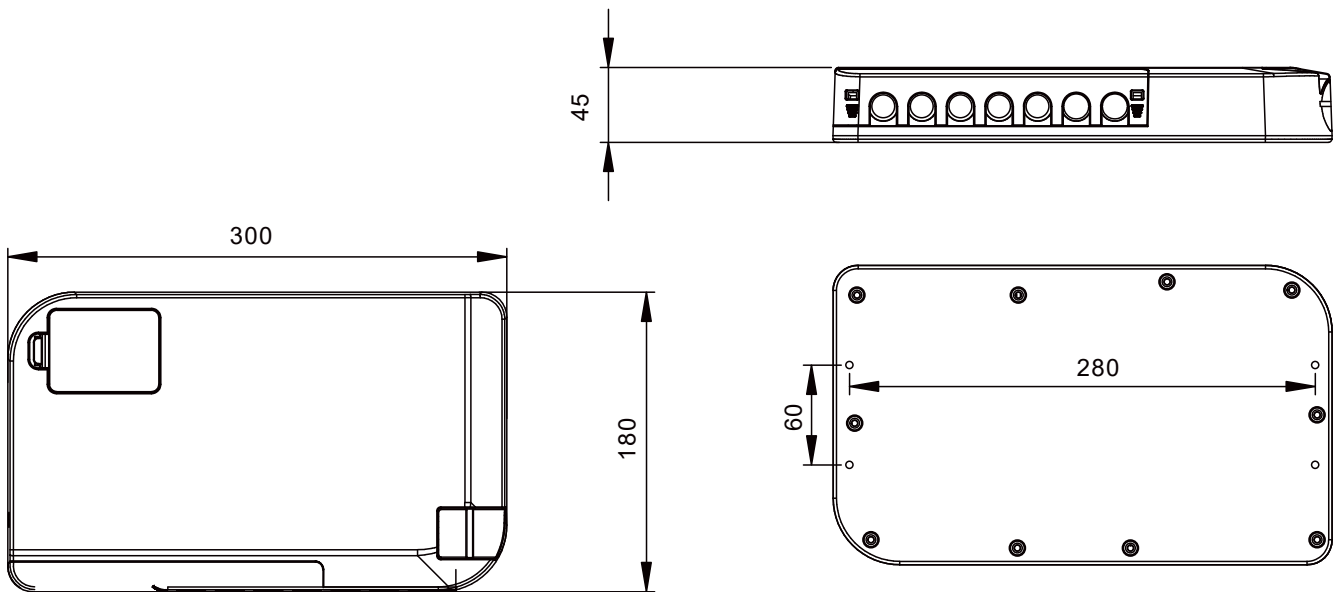
- * NKCB61 is a control box design for homecare bed with switched mode power supply. Global compatibility and desirable performance. Originated tech of 45mm thickness, suit with low bed frame. Mainly support with super-low bed.
- * Connect 1-5 actuators and 1-2 controller
- * Output voltage: 24VDC
- * Overcurrent protection: total current protection or single channel current protection
- * Transformer power 50W,100W
- * Exchangeable mains cables 3m for world-wide compatibility
- * IP Grade: IP54
- * Duty cycle: Max. 10% or 2 min. continuous use followed by 18 min. not in use
- * Ambient temperature: +5° to +40°C
- * The power cord is plug-in type (standard wire length is 3M), and the power plug can be selected freely, which is suitable for the world
- * Options: Internal 2.4g wireless receiver; Batteries built-in

* Input voltage: 100-240VAC

* Color: Black and Grey



Dimensions



Specifications

NKCB62

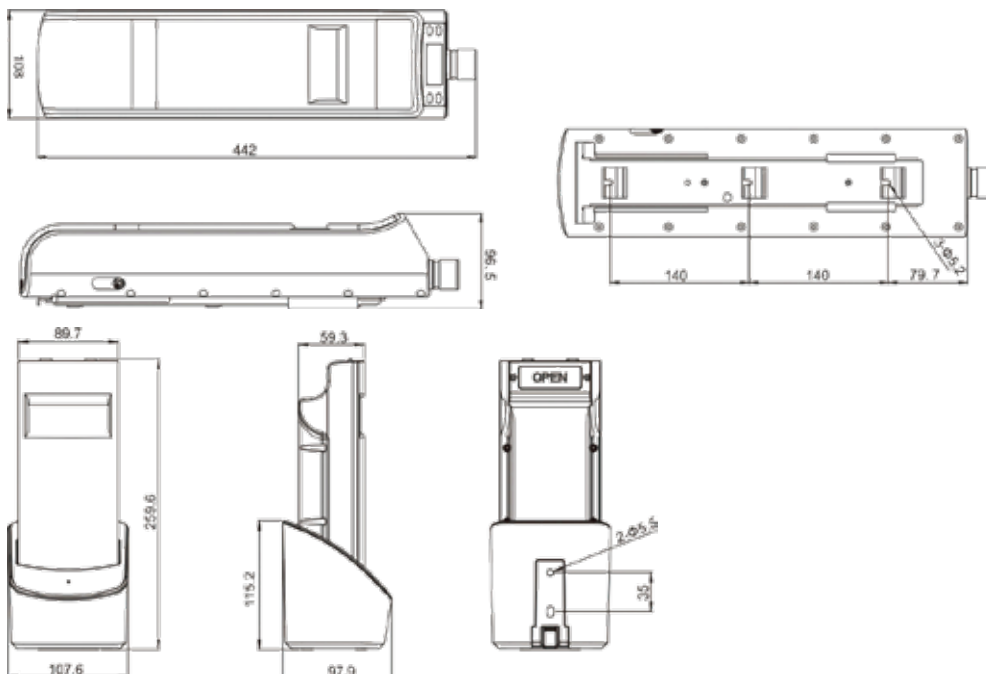
- * Special design for patient lift system
- * Internal charger or charging cradle is option
- * Connection of max 3 actuators and 1 operating element
- * With 2.0 inch display
- * Li-ion battery 2.2AH or 4.4AH



Parameter

Number of Actuator	1-3	Duty Cycle	10%, max 2min. continuous use
Output Voltage(VDC)	24VDC/2.2/4.4Ah lithium batteries	Overload Protection	Single-extra protection
Actuator plugs	DIN 6 ET bend plug	Ambient temperature	+5°C~+40°C
Hand/Foot-Control plugs	DIN 10 RJ bend plug	Battery energy display	Power indication both on handset and display
Colour	Blue and White	Low power alarm	Low power indicator on display and acoustic battery alarm
IP Grade	IP66	Emergency stop switch	Current cut-off in an emergency
Function	1. Indicator on handset, on display and acoustic alarm when low power		
	2. Power of the battery, movement of actuator, times of channel 1 actuator operate and over load		
	3. Customer could set the service period and it will warning when it expire		
	4. Record the times of actuator operate in each service period, easy to check		

Dimensions



Specifications

NKCB63

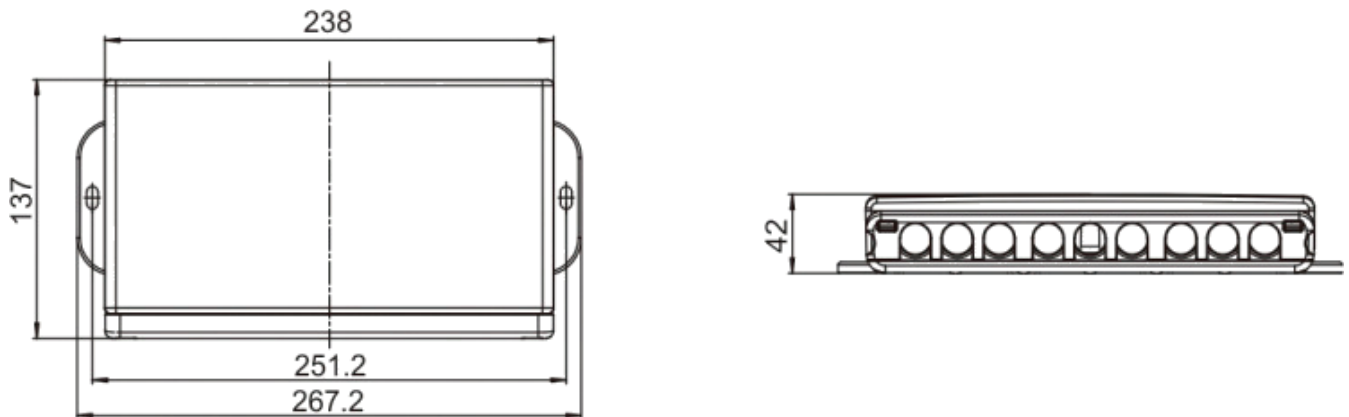
- * Input voltage is less than 36VDC, more safe
- * With more flat house and easy to mount on the bed
- * Power could supply by the battery, better movability



Parameter

Number of actuator	1-6	Overload Protection	Overcurrent/Overtemperature protection
Input Voltage(VAC)	24 (by SMPS or Battery)	Cable length	2.5m (option)
Actuator plugs	Motor straight Plug	IP Grade	IP66
Hand/Foot-control plugs	Motor straight Plug	Ambient temperature	+5°C~+40°C
Colour	Black or grey	Standard	CE
Duty Cycle	10%. max 2min. continuous use		

Dimensions



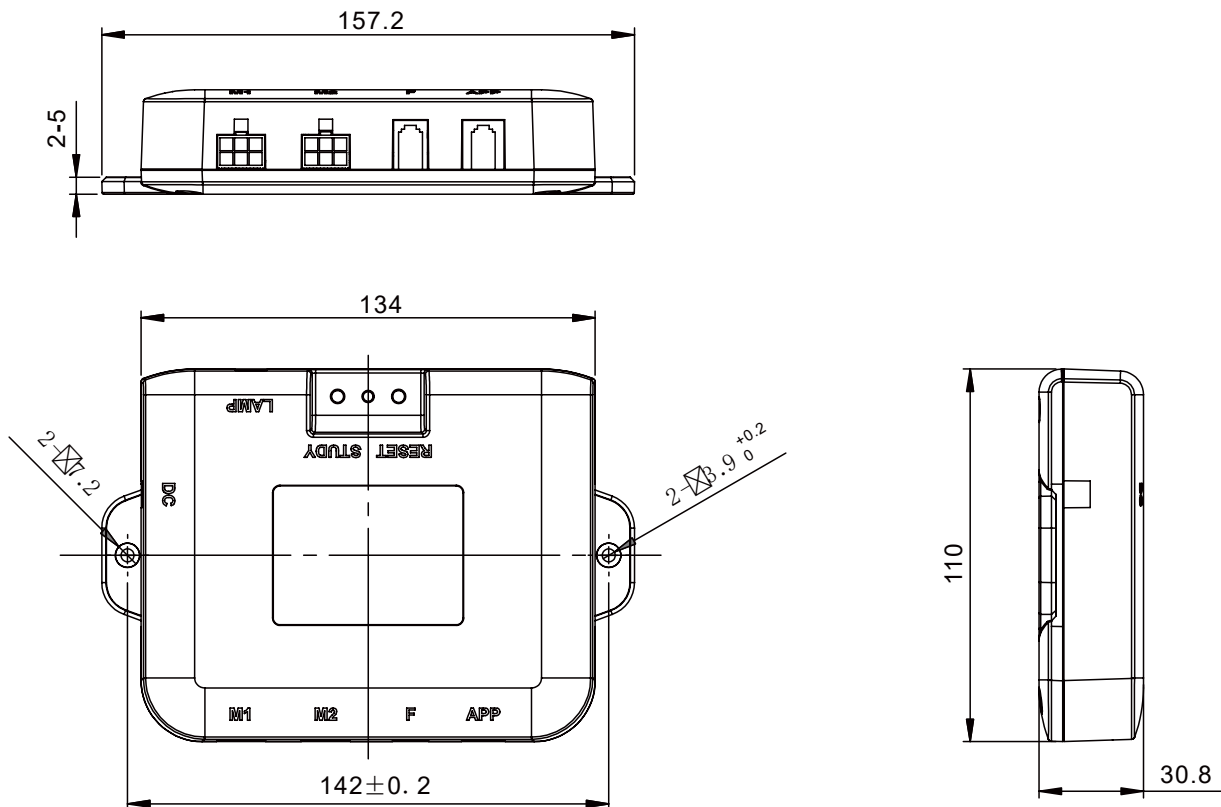
Specifications

NKCH1

- * NKCH1 is a powerful control box, with switch mode power supply typically used for applications like home beds, leisure beds treatment and other applications.
- * Can connect 1-2 actuators, 1 LED night, 1 App bluetooth receiver.
- * Input voltage: 100~240VAC
- * Output voltage: 24VDC
- * Color: Black
- * IP Grade: IP20
- * Duty cycle: 10%, max 2min continuous use, stop for 18min
- * Operation temperature: +5°C~+40°C
- * Can connect external bluetooth receiver, and match with mobile app working
- * External USB charging module, charging current 1A
- * Can connect PC and adjust the data
- * Flexible installation: screw fixation
- * Match remoter is NKHR5
- * Standard: CE/UL/KC



Dimensions



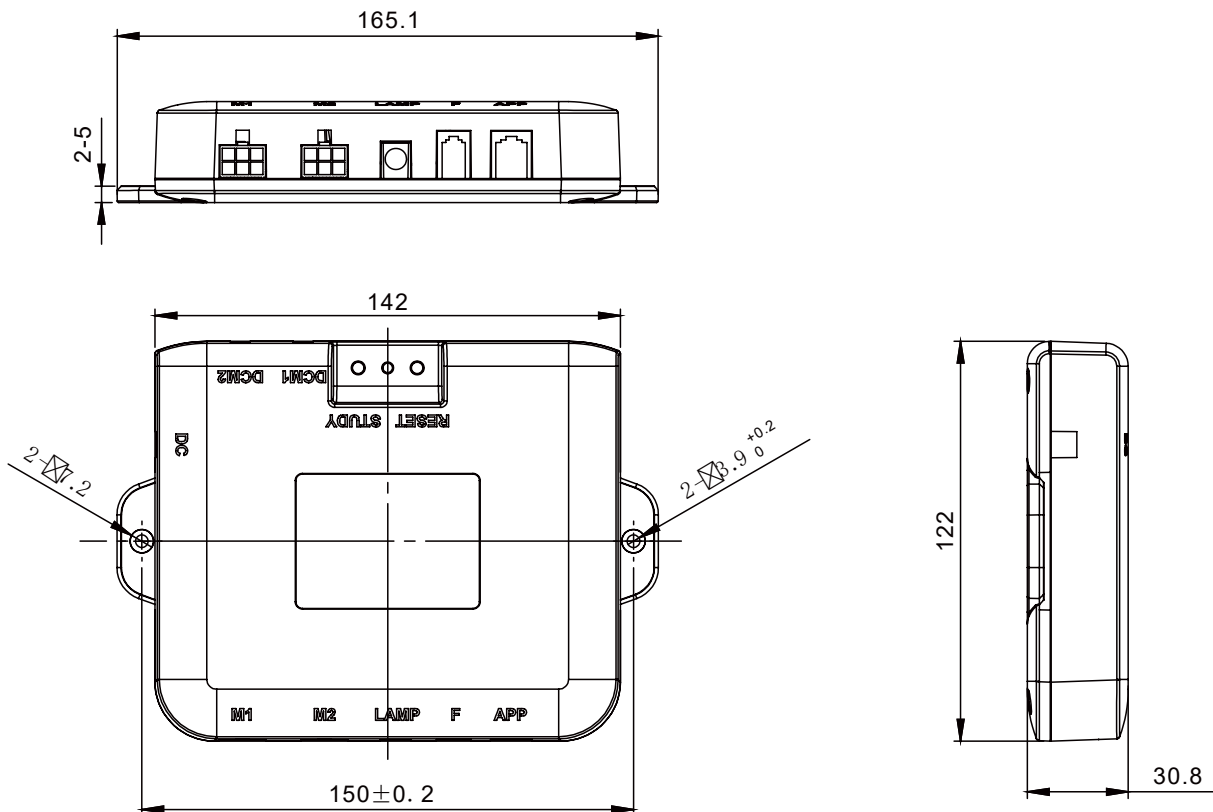
Specifications

NKCH2

- * NKCH2 is a powerful control box, with switch mode power supply typically used for applications like home beds, leisure beds and other applications.
- * Can connect 1-2 actuators, 1-2 massage motor, 1 LED light and 1 app bluetooth receiver
- * Input voltage: 100~240VAC
- * Output voltage: 24VDC
- * Color: Black
- * IP Grade: IP20
- * Duty cycle: 10%, max 2min continuous use, stop for 18min
- * Operation temperature: +5°C~+40°C
- * Can connect external bluetooth receiver, and match with mobile app working
- * External USB charging module, charging current 1A
- * Can connect PC and adjust the data
- * Flexible installation: screw fixation
- * Match remoter is NKHR5
- * Standard: CE/UL/KC



Dimensions



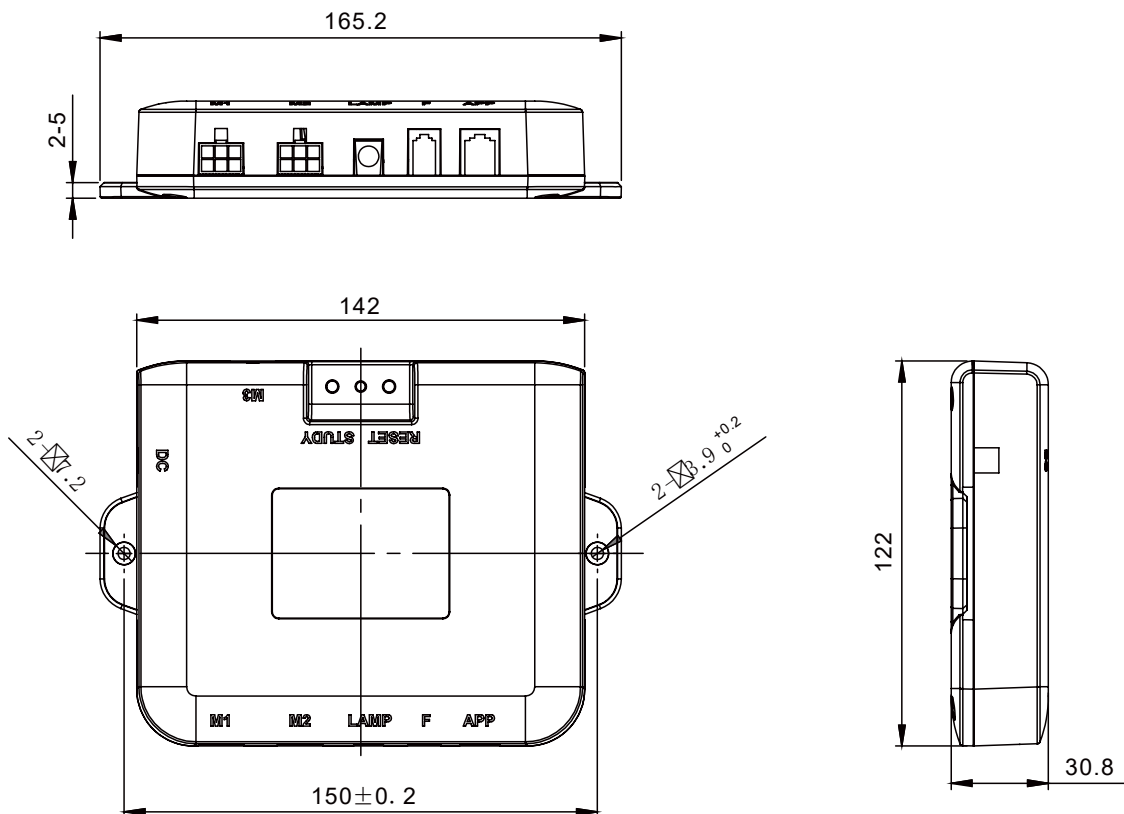
Specifications

NKCH3

- * NKCH3 is a powerful control box, with switch mode power supply typically used for applications like home beds, leisure beds and other applications.
- * Can connect 1-3 actuators, 1 LED light and 1 app bluetooth receiver
- * Input voltage: 100~240VAC
- * Output voltage: 24VDC
- * Color: Black
- * IP Grade: IP20
- * Duty cycle: 10%, max 2min continuous use, stop for 18min
- * Operation temperature: +5°C~+40°C
- * Can connect external bluetooth receiver and match with mobile app working
- * External USB charging module, charging current 1A
- * Can connect PC and adjust the data
- * Flexible installation: screw fixation
- * Match remoter is NKHR5
- * Standard: CE/UL/KC



Dimensions



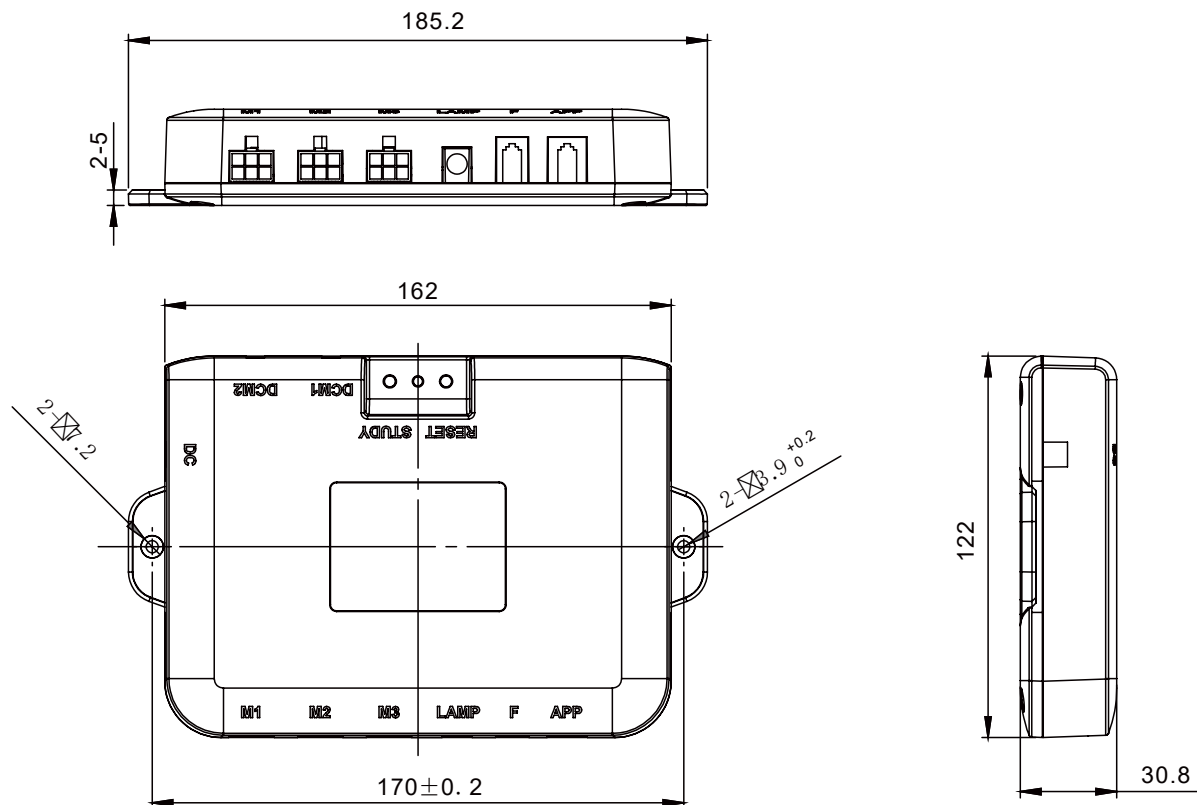
Specifications

NKCH4

- * NKCH4 is a powerful control box, with switch mode power supply typically used for applications like home beds, leisure beds and other applications.
- * Can connect 1-3 actuators, 1-2 massage motor, 1 LED light and 1 app bluetooth receiver
- * Input voltage: 100~240VAC
- * Output voltage: 24VDC
- * Color: Black
- * IP Grade: IP20
- * Duty cycle: 10%, max 2min continuous use, stop for 18min
- * Operation temperature: +5°C~+40°C
- * Can connect external bluetooth receiver and match with mobile app working
- * External USB charging module, charging current 1A
- * Can connect PC and adjust the data
- * Flexible installation: screw fixation
- * Match remoter is NKHR5
- * Standard: CE/UL/KC



Dimensions



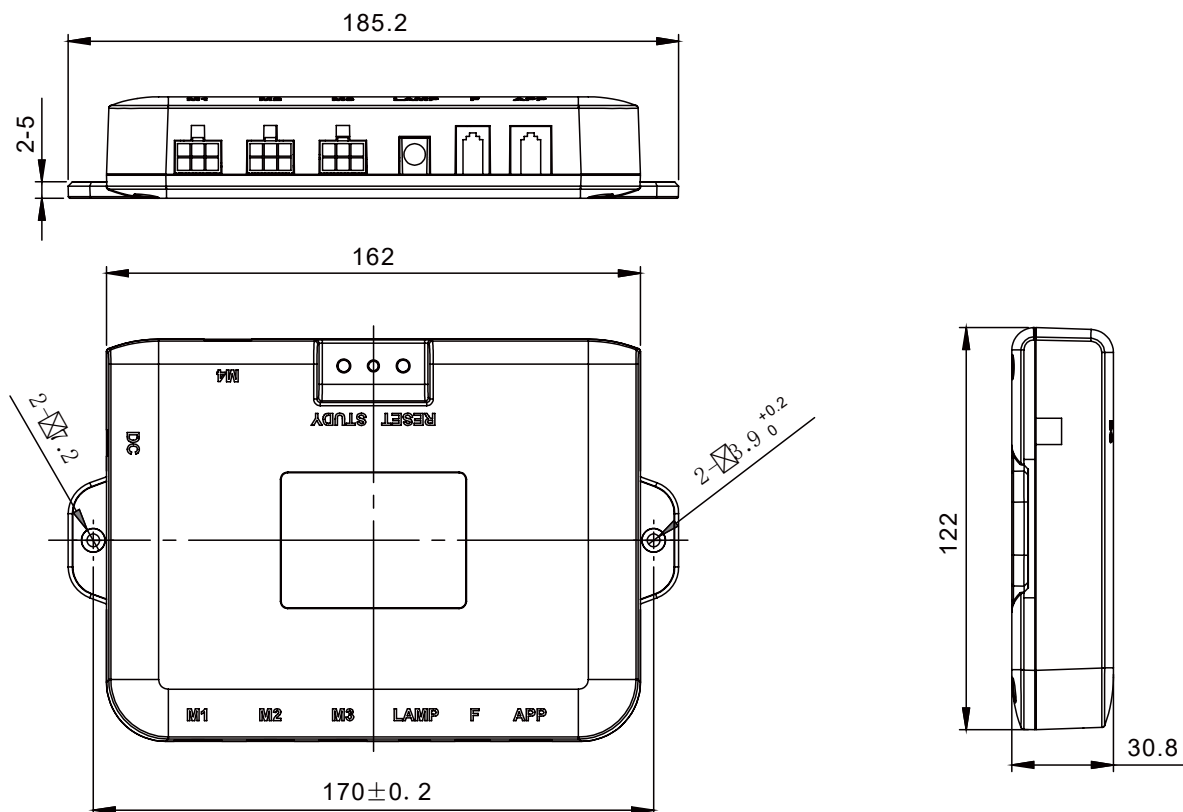
Specifications

NKCH5

- * NKCH5 is a powerful control box, with switch mode power supply typically used for applications like home beds, leisure beds and other applications.
- * Can connect 1-4 actuators, 1 LED light and 1 app bluetooth receiver
- * Input voltage: 100~240VAC
- * Output voltage: 24VDC
- * Color: Black
- * IP Grade: IP20
- * Duty cycle: 10%, max 2min continuous use, stop for 18min
- * Operation temperature: +5°C~+40°C
- * Can connect external bluetooth receiver and match with mobile app working
- * External USB charging module, charging current 1A
- * Can connect PC and adjust the data
- * Flexible installation: screw fixation
- * Match remoter is NKHR5
- * Standard: CE/UL/KC



Dimensions



Specifications

NKCH6

- * NKCH6 is a powerful control box, with switch mode power supply typically used for applications like home beds, leisure beds and other applications.
- * Can connect 1-4 actuators, 1-2 massage motor, 1 LED light and 1 app bluetooth receiver
- * Input voltage: 100~240VAC
- * Output voltage: 24VDC
- * Color: Black
- * IP Grade: IP20
- * Duty cycle: 10%, max 2min continuous use, stop for 18min
- * Operation temperature: +5°C~+40°C
- * Can connect external bluetooth receiver and match with mobile app working
- * External USB charging module, charging current 1A
- * Can connect PC and adjust the data
- * Flexible installation: screw fixation
- * Match remoter is NKHR5
- * Standard: CE/UL/KC



Dimensions

