

## Specifications

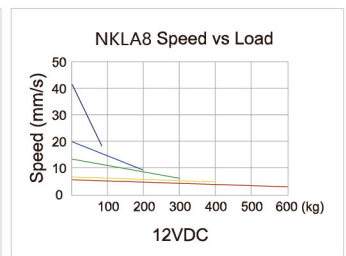
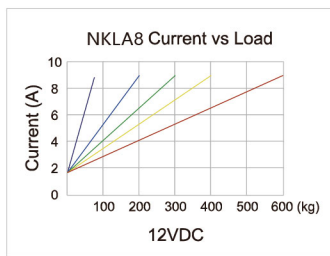
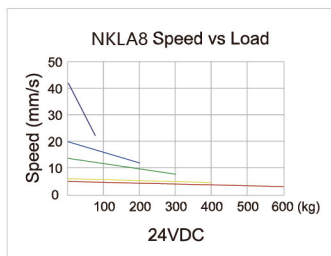
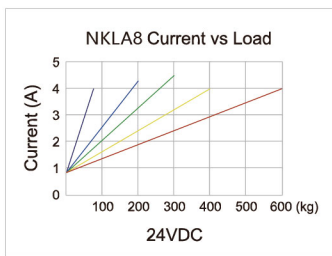
### NKLA8

- \* Stroke Length: 50~1000mm
- \* Color: Black/Silver grey
- \* Limit Switch: Built-in
- \* Overload Protection: Yes
- \* Duty Cycle: 10%, max 2min continuous use
- \* IP Grade: IP66
- \* Operating Temperature: +5°C~+40°C
- \* Standard: CE/UL60601/EN60601
- \* Optional Part: Hall sensor option; Reed switch option; Only push option; Relay free option

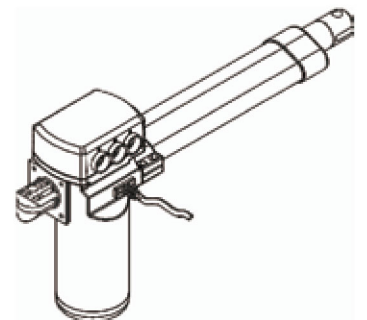
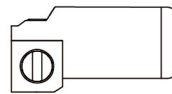
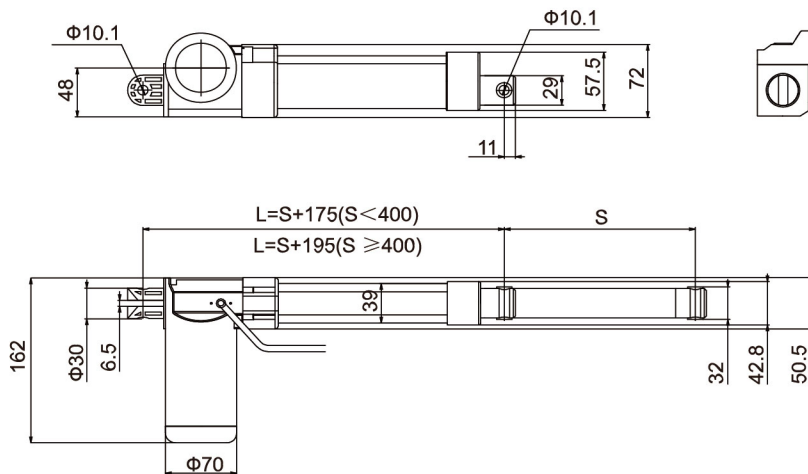


## Load and Speed

Dynamic Load push(N)	6000	4000	3000	2000	1000
Dynamic Load pull(N)	4000	4000	3000	2000	1000
Static Load Push(N)	6000	4000	3000	2000	1000
Static Load Pull(N)	4000	4000	3000	2000	1000
Input(VDC)	24				
Speed at Full Load(mm/s)	3	4	6	9	20



## Dimensions



mounted with control box