

## Specifications

### NKLA62

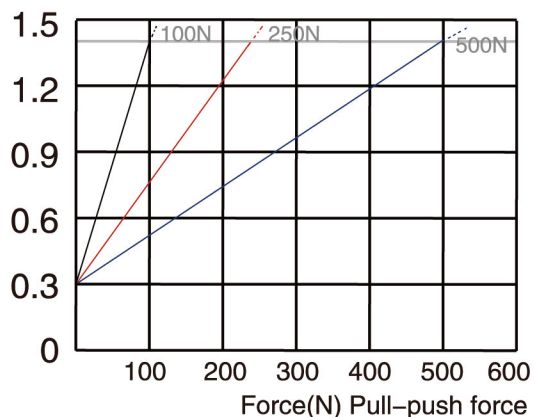
- \* Stroke Length: 50~1000mm
- \* Color: Black/Silver Grey
- \* IP Grade: IP66
- \* Operating Temperature: +5°C~+40°C
- \* Noise: 45~48dB
- \* Optional: Hall sensor; Limit switch
- \* Min Installation Size :  
stroke+150mm(without hall sensor or overload protect)  
stroke+170mm(with hall sensor or overload protect)



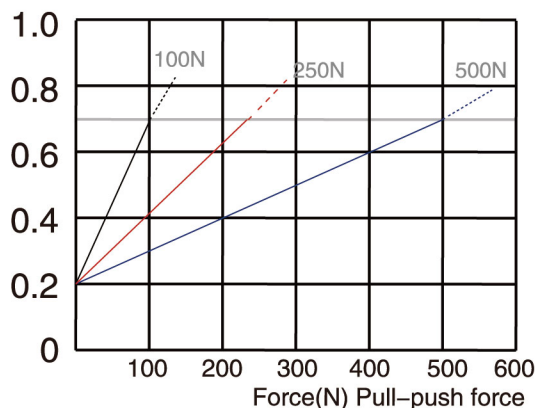
## Load and Speed

Dynamic Load push(N)	100	250	500
Dynamic Load pull(N)	100	250	500
speed ratio	49	71	139
Input(VDC)	12/24		
Speed(mm/s)	11.0	6.5	3.5

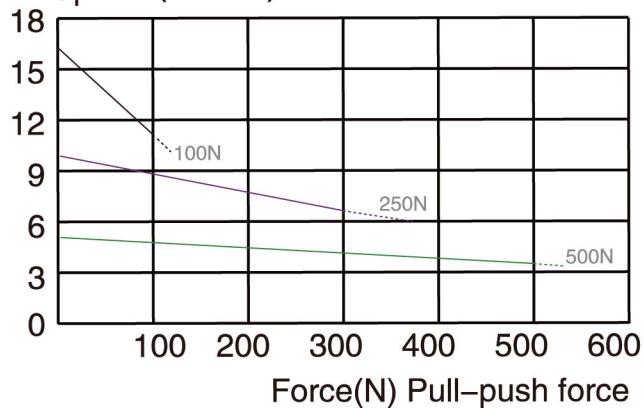
Current ( 12V )



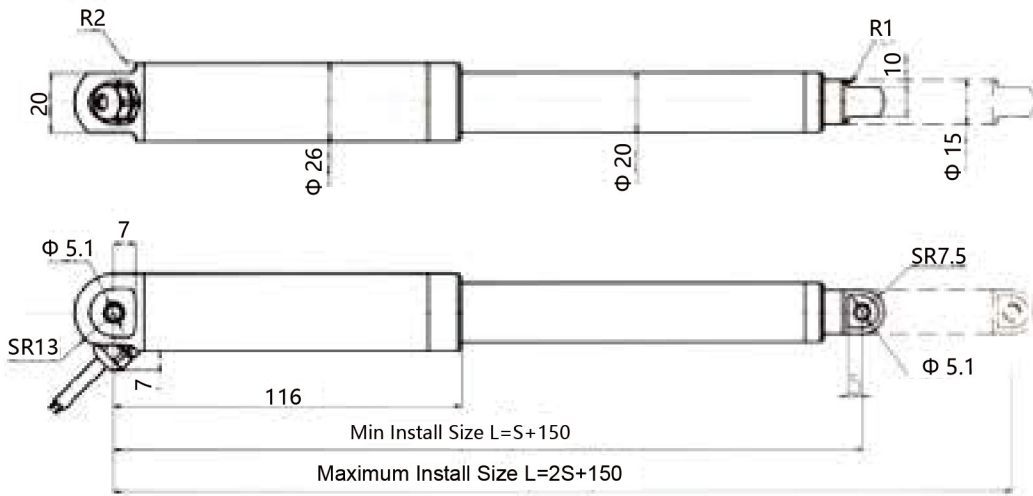
Current ( 24V )



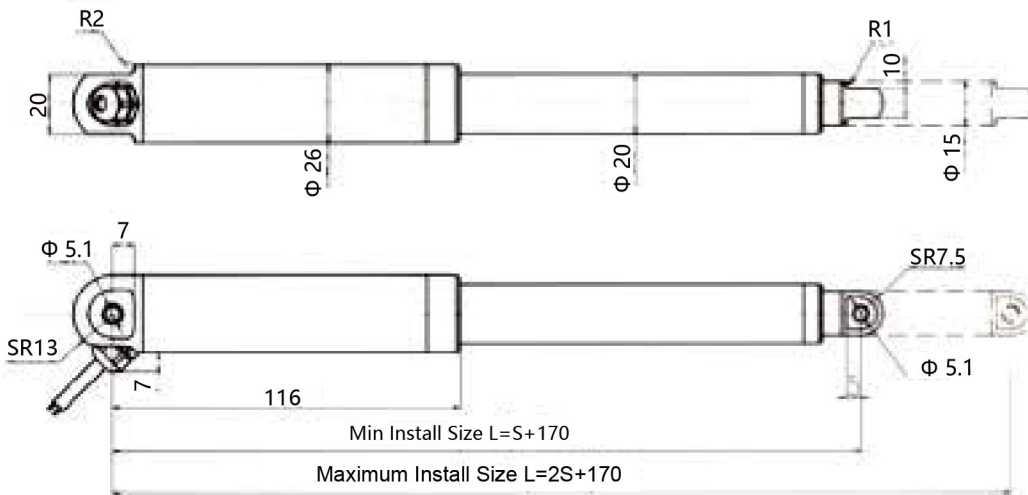
Speed ( mm/s )



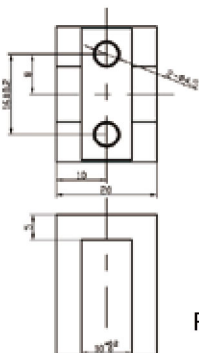
## Dimensions



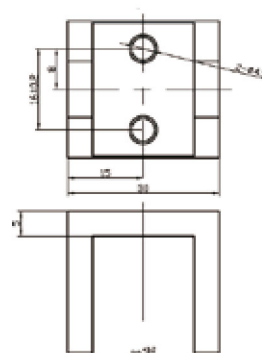
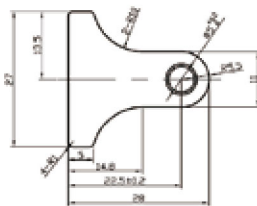
Installation of Limit Switch and Hall Sensor



NKLA62 Min Install Size	[mm]	Standard	Stroke Switch	Hall Sensor	Overcurrent Protect
	L+S	150+S	165+S	170+S	170+S
	A	115	137	135	135



Front mounting bracket



rear mounting bracket

