

Specifications

NKLA49

- * Stroke Length: 50~1000mm
- * Color: Silver Grey
- * Limit Switch: Built-in
- * Overload Protection : Yes
- * Duty Cycle: 10%, max 2min continuous use
- * IP Grade: IP65
- * Operating Temperature: -40°C~+65°C
- * Standard: CE

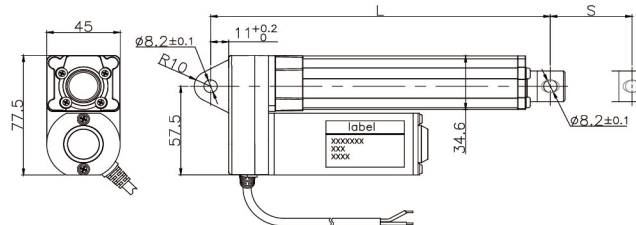
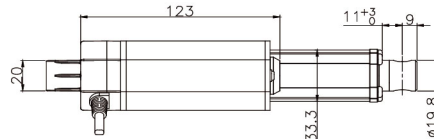


Load and Speed

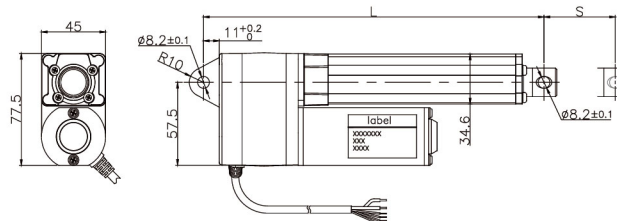
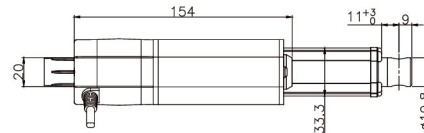
Code	A	B	C	D	E	F	G	H	I	J
Dynamic Load push(N)	2000	1600	1200	700	300	1200	800	600	400	200
Dynamic Load pull(N)	2000	1600	1200	700	300	1200	800	600	400	200
Input(VDC)	12/24/36/48									
Speed at No Load(mm/s)	5	7	10	18	38	8	10	14	28	55
Speed at Full Load(mm/s)	4	5.5	8	14	30	6	8	11	22	45

Dimensions

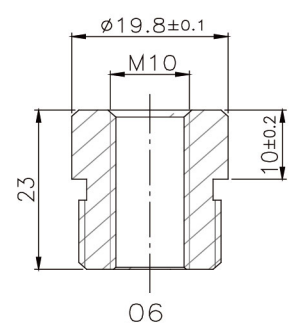
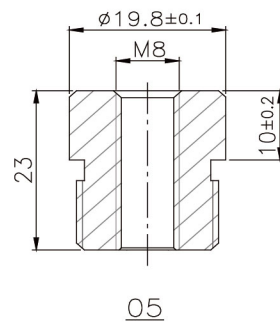
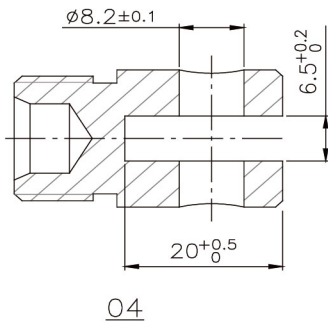
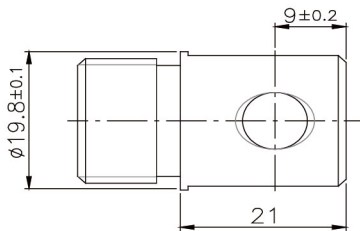
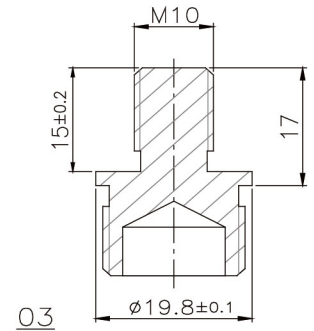
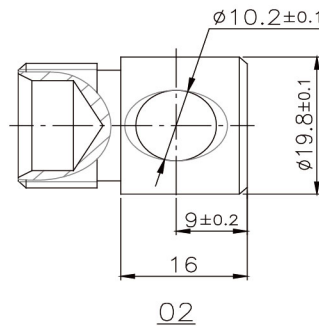
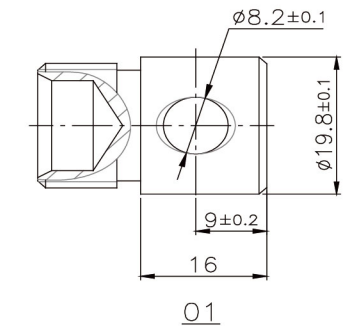
(1) Dimension standard
 $30 \leq \text{Stroke} < 300, L=S+108$
 (Stroke: 30, speed: 20+, $L \geq 140$)
 $300 \leq \text{Stroke} < 500, L=S+120$
 $500 \leq \text{Stroke} \leq 600, L=S+130$
 Mounting holes 90°(standard)



(2) Dimension with potentiometer
 $30 \leq \text{Stroke} < 300, L=S+140$
 $300 \leq \text{Stroke} < 500, L=S+150$
 $500 \leq \text{Stroke} \leq 600, L=S+160$
 Mounting holes 90°(standard)



Front Installation



Note: "01" Standard
"07" Customized

Signal feedback mode and range:

Code	Feedback mode	Characteristic	Resolution
		Stroke range	Every 1mm stroke $\pm 10\%$
A~E	Potentiometer	200mm 10K Ω Full mark	0.0464 K Ω
F~J		300mm 10K Ω Full mark	0.0294 K Ω
A		Hall	Number of Pulse Signals (a pair of poles)
B	9.45		
C	6.3		
D	3.15		
E	1.58		
F	8		
G	6		
H	4		
I	2		
J	1		