

Specifications

NKLA47

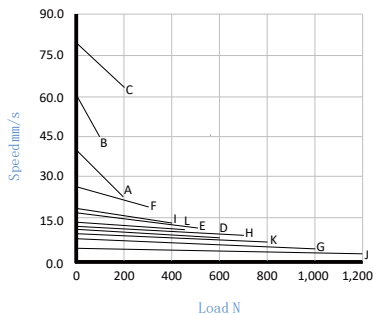
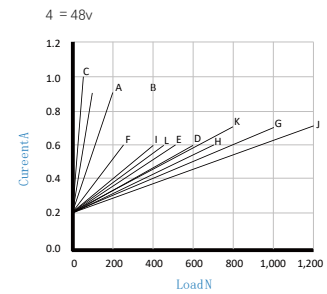
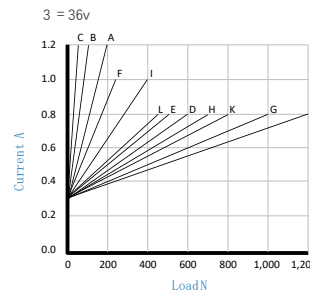
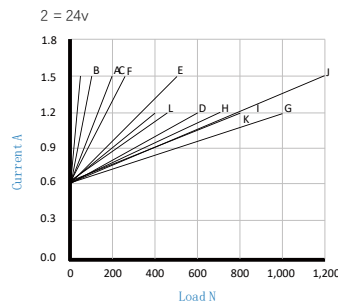
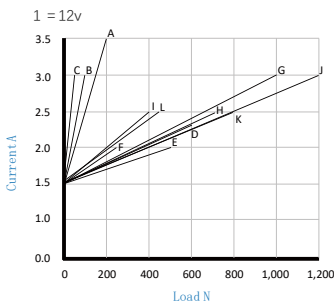
- * Stroke Length: 50~1000mm
- * Color: Silver Grey
- * Limit Switch: Built-in
- * Overload Protection : Yes
- * Duty Cycle: 10%, max 2min continuous use
- * IP Grade: IP65
- * Operating Temperature: -40°C~+65°C
- * Standard: CE



Load and Speed

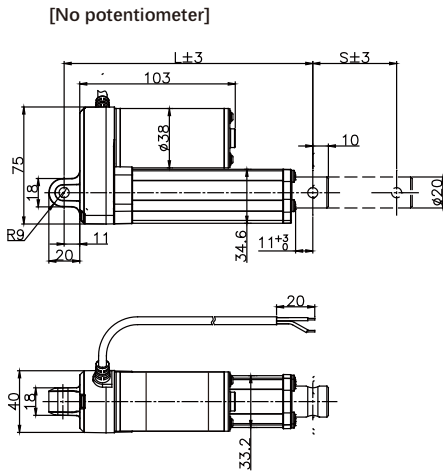
Dynamic Load push(N)	200	100	50	600	500	250	1000	700	400	1200	800	450
Dynamic Load pull(N)	200	100	50	600	500	250	1000	700	400	1200	800	450
Input(VDC)	12/24/36/48											
Speed at No Load(mm/s)	40.0	60.0	80.0	10.5	16.5	25	7.2	11.5	17	5.5	8.5	13
Speed at Full Load(mm/s)	22.0	45.0	65.0	7.0	12	20.0	5.0	8.5	13.5	4.0	6.5	10.0

Dimensions

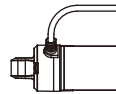


* The above data were measured at ambient temperature 20°C and under stable conditions

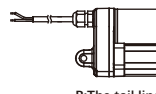
Installation



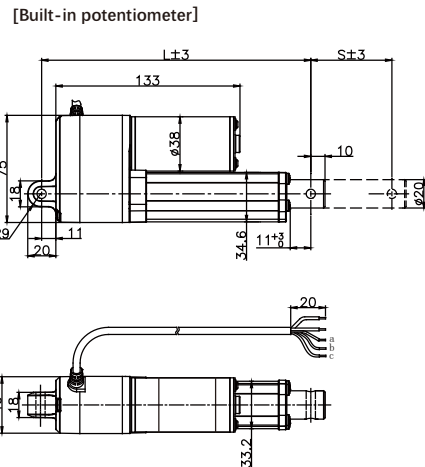
Line position:



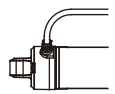
A:Lateral line



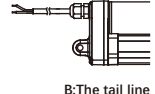
B:The tail line



Line position:



A:Lateral line



B:The tail line

(1) Installation dimensions for basic configuration

- 50 ≤ Stroke < 299, L=S+0
- 300 ≤ Stroke < 499, L=S+15
- 500 ≤ Stroke, L=S+25

Front end connector (F01, F02, F03, F07, F08, F09, F10, F11, F12) : A ≥ S+105 mm
 Front end connector (F04, F05, F06) : A ≥ S+110 mm

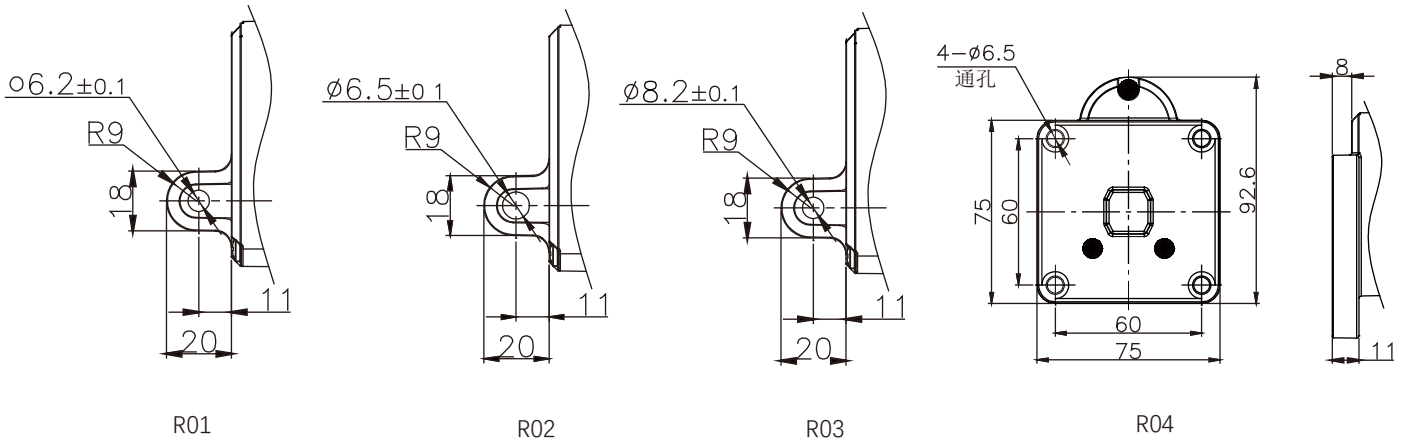
(2) Mounting dimensions with potentiometer signal feedback

- 50 ≤ Stroke < 299, L=S+0
- 300 ≤ Stroke < 450, L=S+15

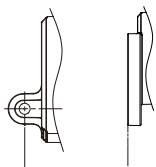
Front end connector (F01, F02, F03, F07, F08, F09, F10, F11, F12) : A ≥ S+135 mm
 Front end connector (F04, F05, F06) : A ≥ S+140 mm

End connection

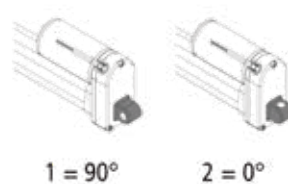
1. Many optional, or contact our company to do personalized customization.



2. Erection distance definition

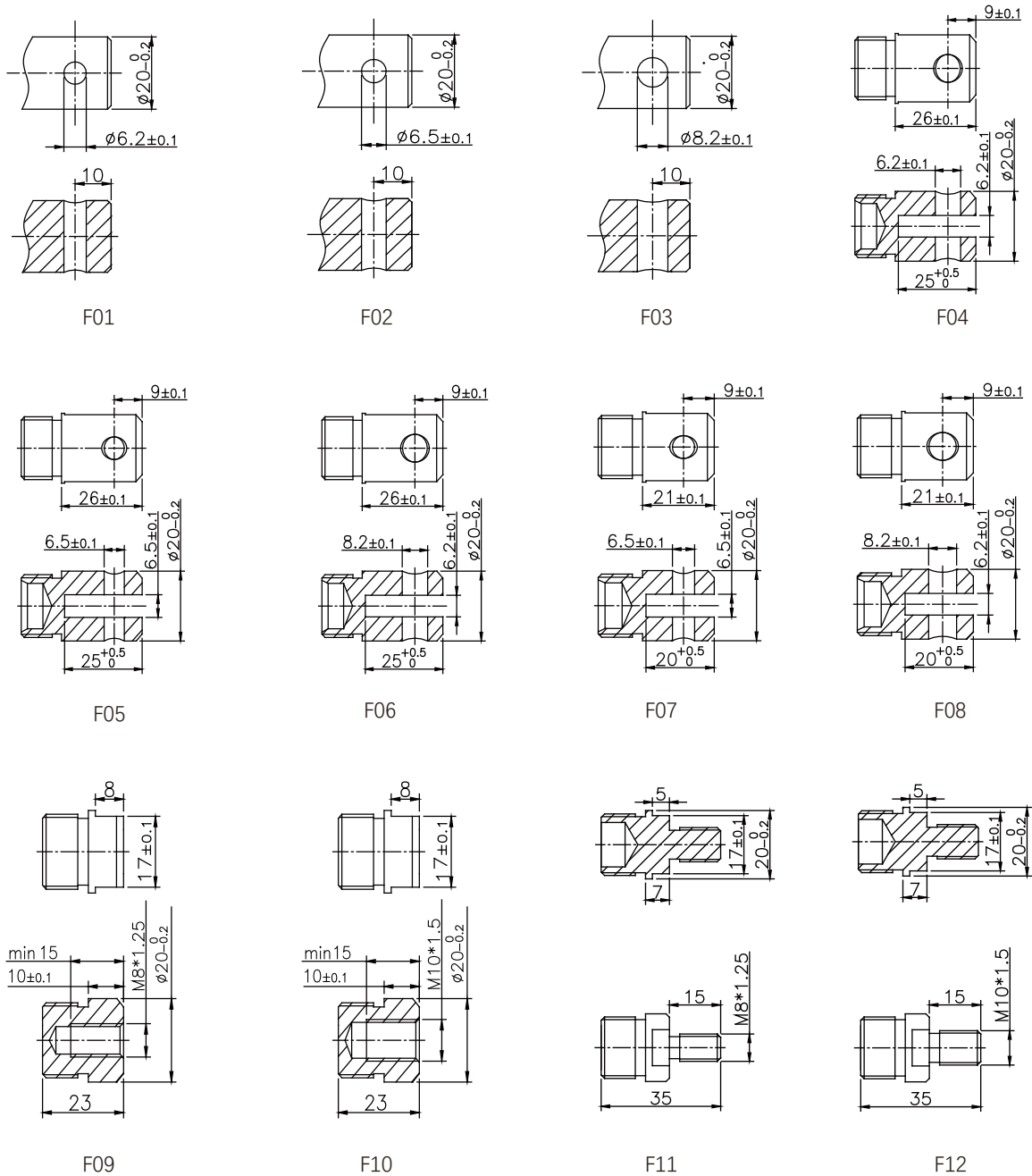


3. Hole direction of end connector

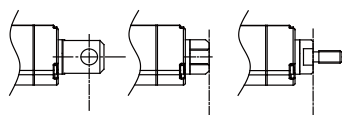


Front end connector

1. Multiple options, or contact our company to do personalized customization.



2. Erection distance definition



3. Front end connector hole direction

