

Specifications

NKLA46

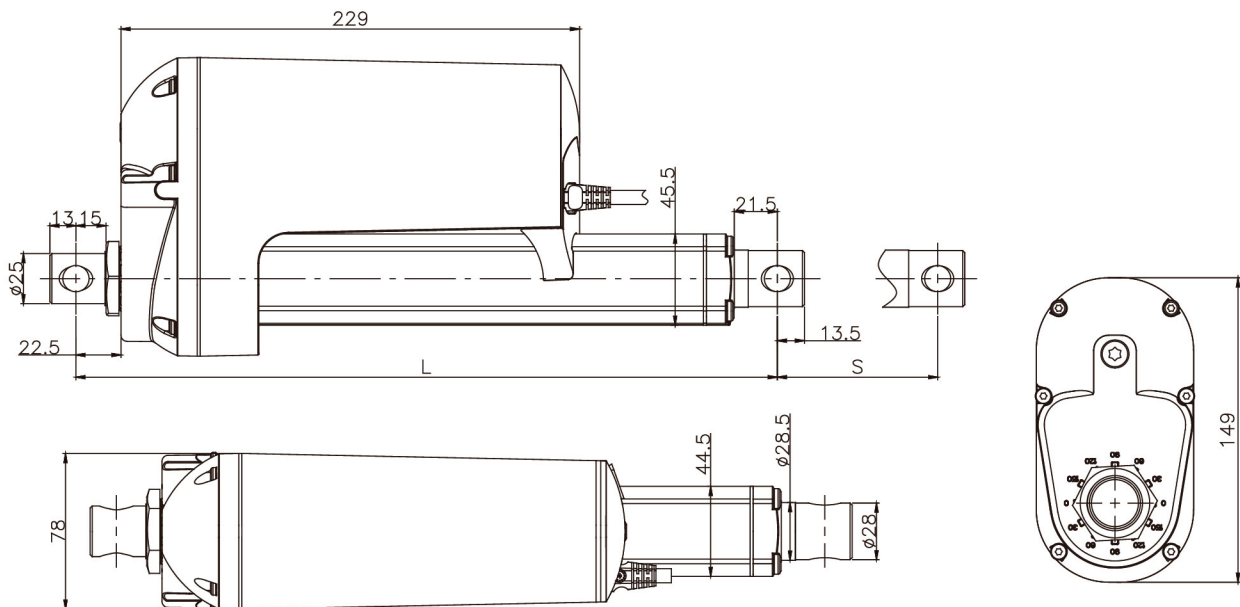
- * Stroke Length: 50~1000mm
- * Color: Black
- * Limit Switch: Built-in
- * Overload Protection : Yes
- * Duty Cycle: 10%, max 2min continuous use
- * IP Grade: IP66
- * Operating Temperature: -40°C~+65°C
- * Standard: CE



Load and Speed

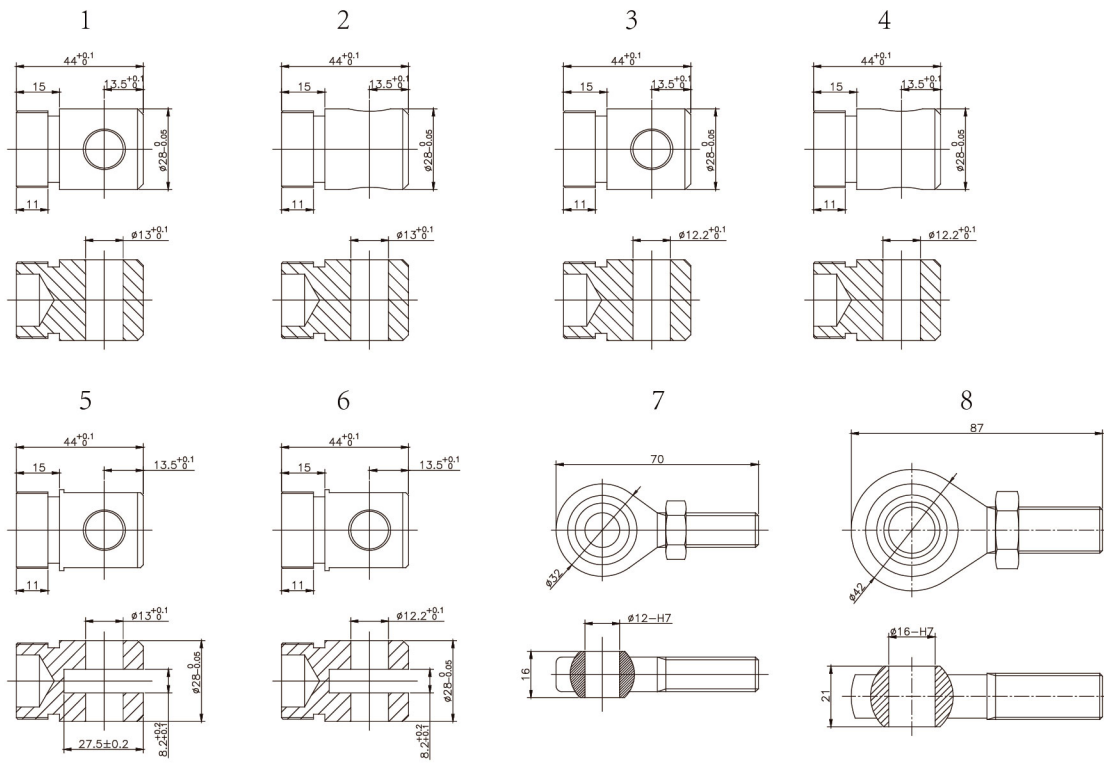
Dynamic Load push(N)	12000	11000	7500	10000	7000	5000	6500	4500	3200
Dynamic Load pull(N)	12000	11000	7500	10000	7000	5000	6500	4500	3200
Self-lock Push(N)	15000	12000	9000	12000	8000	6000	8000	5500	4000
Pitch(mm)	4			8			12		
10KΩ potentiometer full standard stroke	176mm e.g.: 100mm stroke=5.7kΩ			352mm e.g.: 200mm stroke=5.7kΩ			528mm e.g.: 500mm stroke=9.4kΩ		
Input(VDC)	12/24								
Speed at No Load(mm/s)	6.5	8.5	13	13	17	25	20	25	38
Speed at Full Load(mm/s)	4.5	6	9	7	9.5	14	11	13	24

Dimensions



Note: (1) $50 \leq \text{Stroke} \leq 300$, $L=S+200$ (Minimum installation distance 300)
 $300 < \text{Stroke} \leq 600$, $L=S+250$
 (2) Hole direction is $0^\circ / 180^\circ$

Front Installation



Back Installation

