

## Specifications

### NKLA33

- \* Stroke Length: 50~1000mm
- \* Color: Black
- \* Limit Switch: Built-in
- \* Duty Cycle: 20%(high speed 10%)
- \* IP Grade: IP65
- \* Operating Temperature: -26°C~+65°C
- \* Standard: CE
- \* Optional Part: Sphericla plain bearing

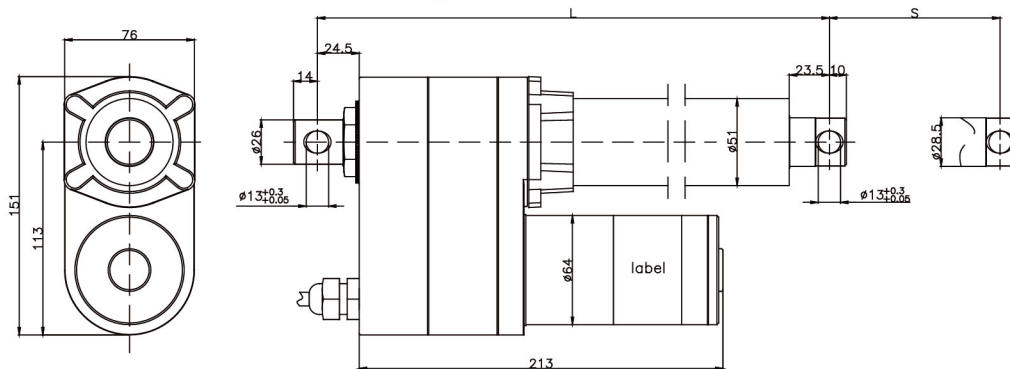


## Load and Speed

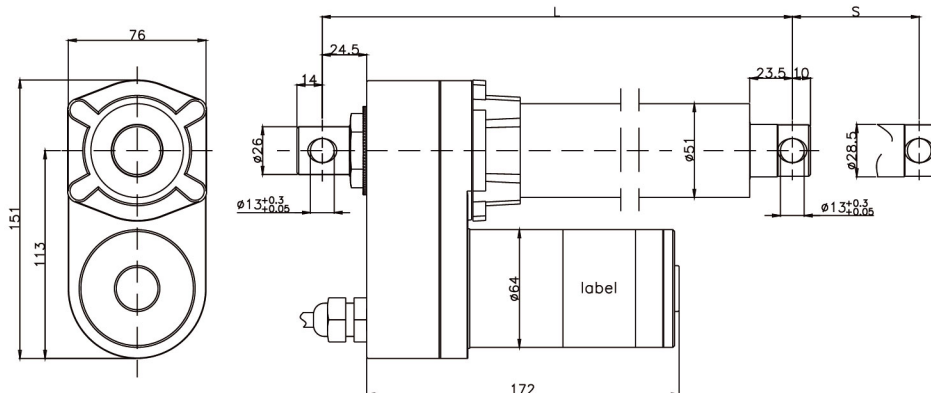
Code	A	B	C	D	E	F
Dynamic Load(N)	7000	7000	5000	4000	3000	2000
Speed at No Load(mm/s)	5.5	8.5	11	17	22	35
Speed at Full Load(mm/s)	4	7	9.5	14	18	28.5
Input(VDC)	12/24/36/48					

## Dimensions

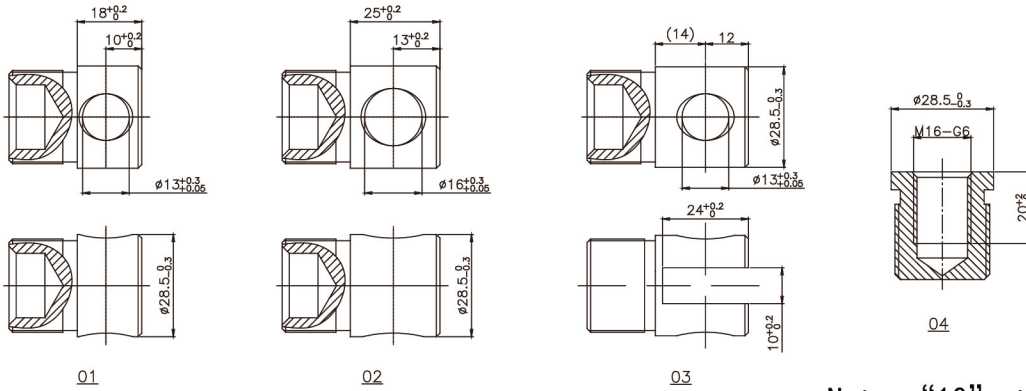
- 1、 Installation dimensions with Limit switch  
 $50 \leq \text{Stroke} < 400, L=S+250$   $400 \leq \text{Stroke} < 600, L=S+300$  ( Support installation of potentiometer )



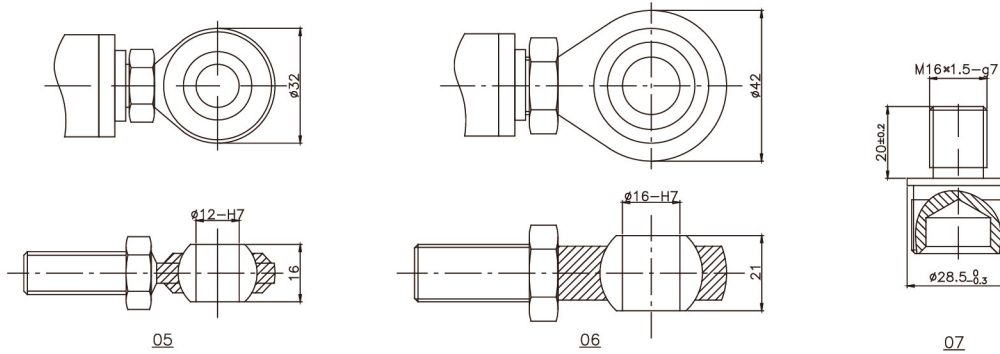
- 2> : 无限位开关的安装尺寸  
 $50 \leq \text{Stroke} < 400, L=S+200$   $400 \leq \text{Stroke} < 600, L=S+250$  ( potentiometer is not support )



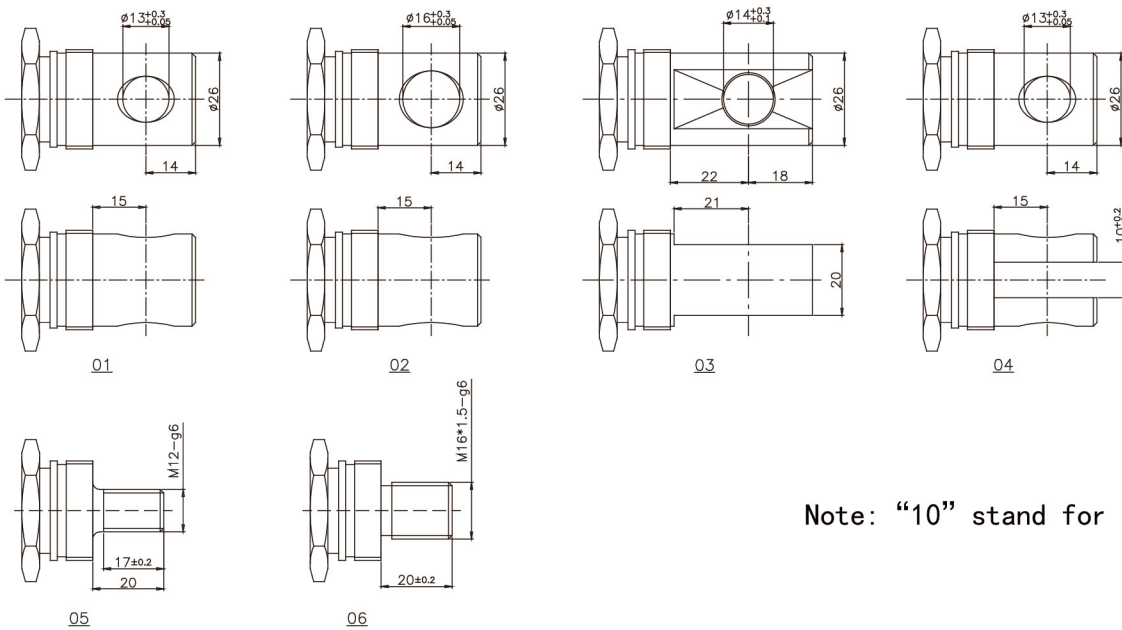
## Front Installation



Note: "10" stand for customized



## Back Installation



Note: "10" stand for customized

Potentiometer configuration range:

Code	maximum stroke	Examples of Resistance Range(KΩ)	
A/C/E	379mm	Stroke:200 Range:5.0	Stroke:300 Range:7.5
B/D/F	598mm	Stroke:200 Range:3.17	Stroke:400 Range:6.35

Note: The resistance of potentiometer is 10K (the actual output resistance depends on the specific stroke)