

Specifications

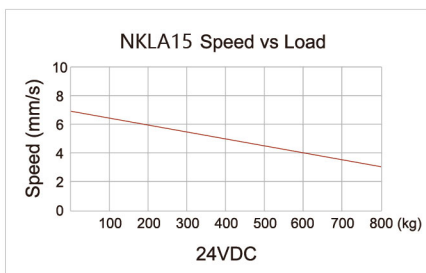
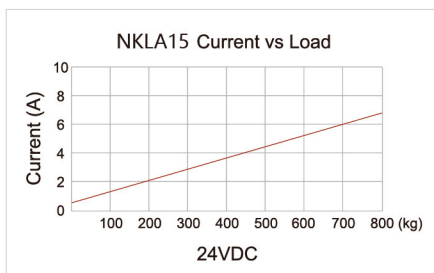
NKLA15

- * Stroke Length: 50~1000mm
- * Color: Silver grey
- * Limit Switch: Built-in
- * Overload Protection: Yes
- * Duty Cycle: 10%, max 2min continuous use
- * IP Grade: IP54
- * Operating Temperature: +5°C~+40°C
- * Optional Part: Head rotate
- * Standard: CE

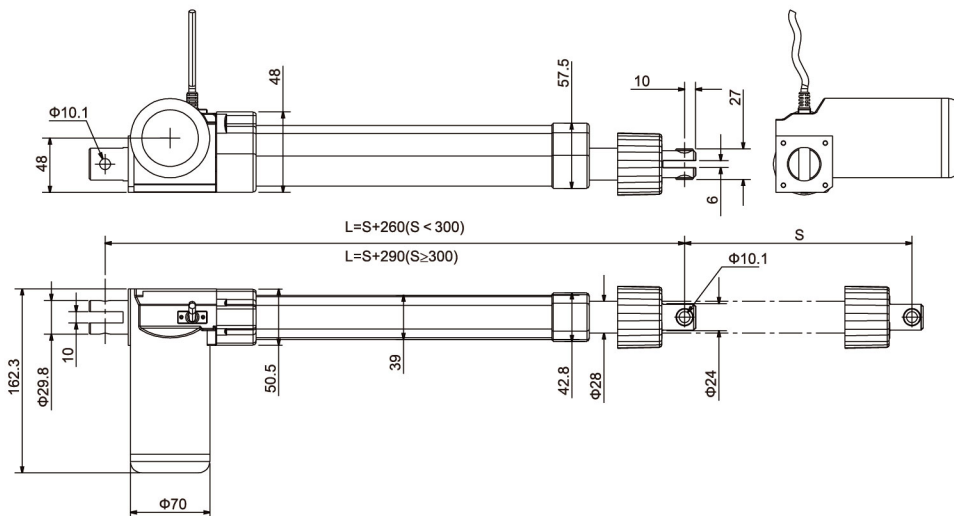


Load and Speed

Dynamic Load push(N)	8000
Dynamic Load pull(N)	8000
Input(VDC)	24
Speed at No Load(mm/s)	6.5
Speed at Full Load(mm/s)	3.5



Dimensions



Max weight of the patient is 180kgs