

Specifications

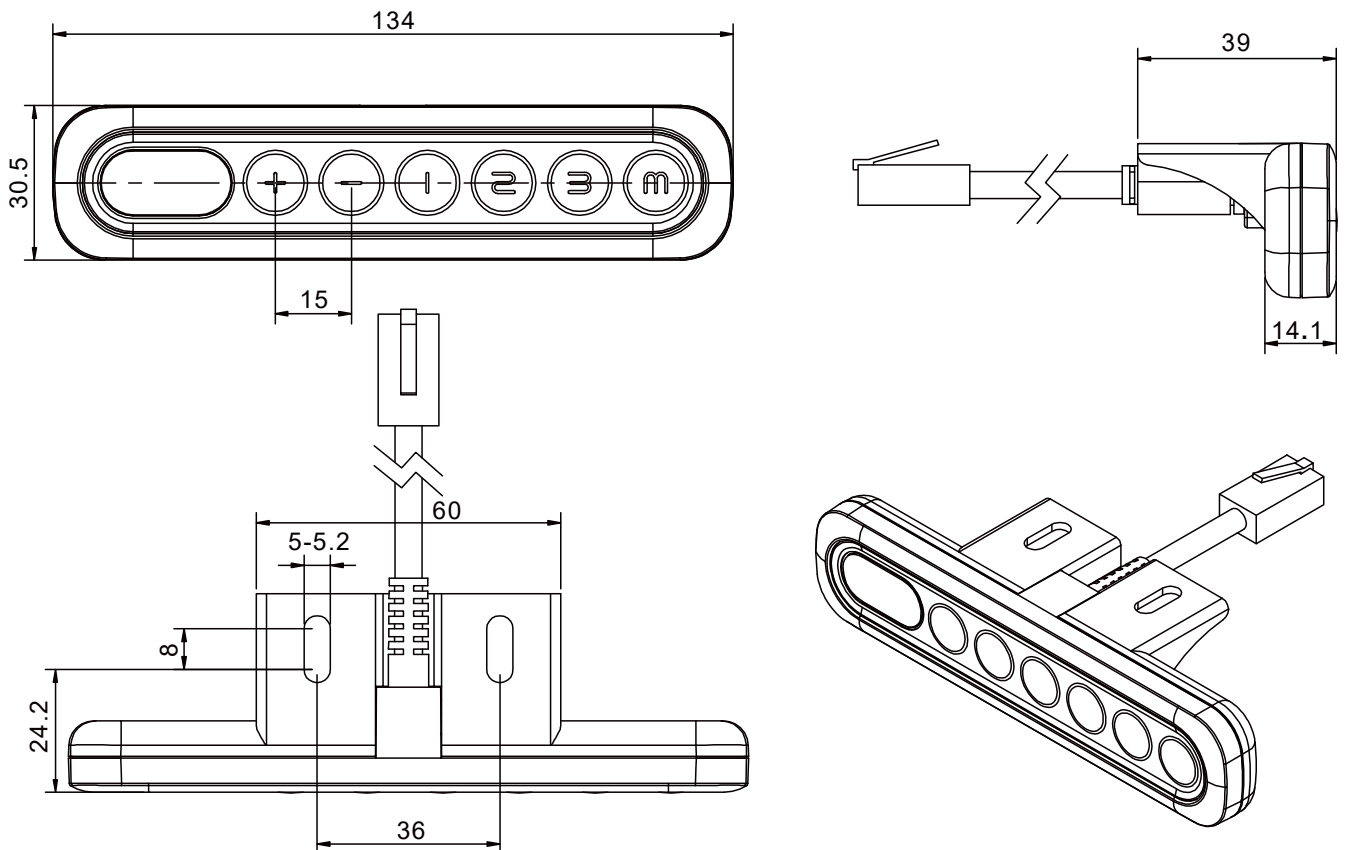
NKHT24

* NKHT24 is an innovative design handset with arc edge and silica gel buttons for more comfortable touch feel, matching with series of NAKIN NKCB11~14 control box to operate all kinds of adjustable desk. NKHT24 can be installed in various types of height adjustable desks, making easy use of pressing up & down button to control desk lifting. And it has 3 memory buttons to achieve one-key lifting. NKHT24 can make free choice of different colors, front side of handset is waterproof to improve works safety.



- * Features: Up/down drive; LED displays actual height; 3 memory buttons; silica gel buttons, waterproof front side; Wire length: 2000mm with 8-core crystal plug.
- * Options: Customized logo; Color: (Panel: Black/White, Button: Black/White/Grey/Green).
- * Compatible control box: NKCB11; NKCB12; NKCB13; NKCB14
- * Operation Temperature: Indoors (+5°C~+40°C)

Dimensions



Linear Actuator
Lifting Column
Controller
Operator
Accessory