

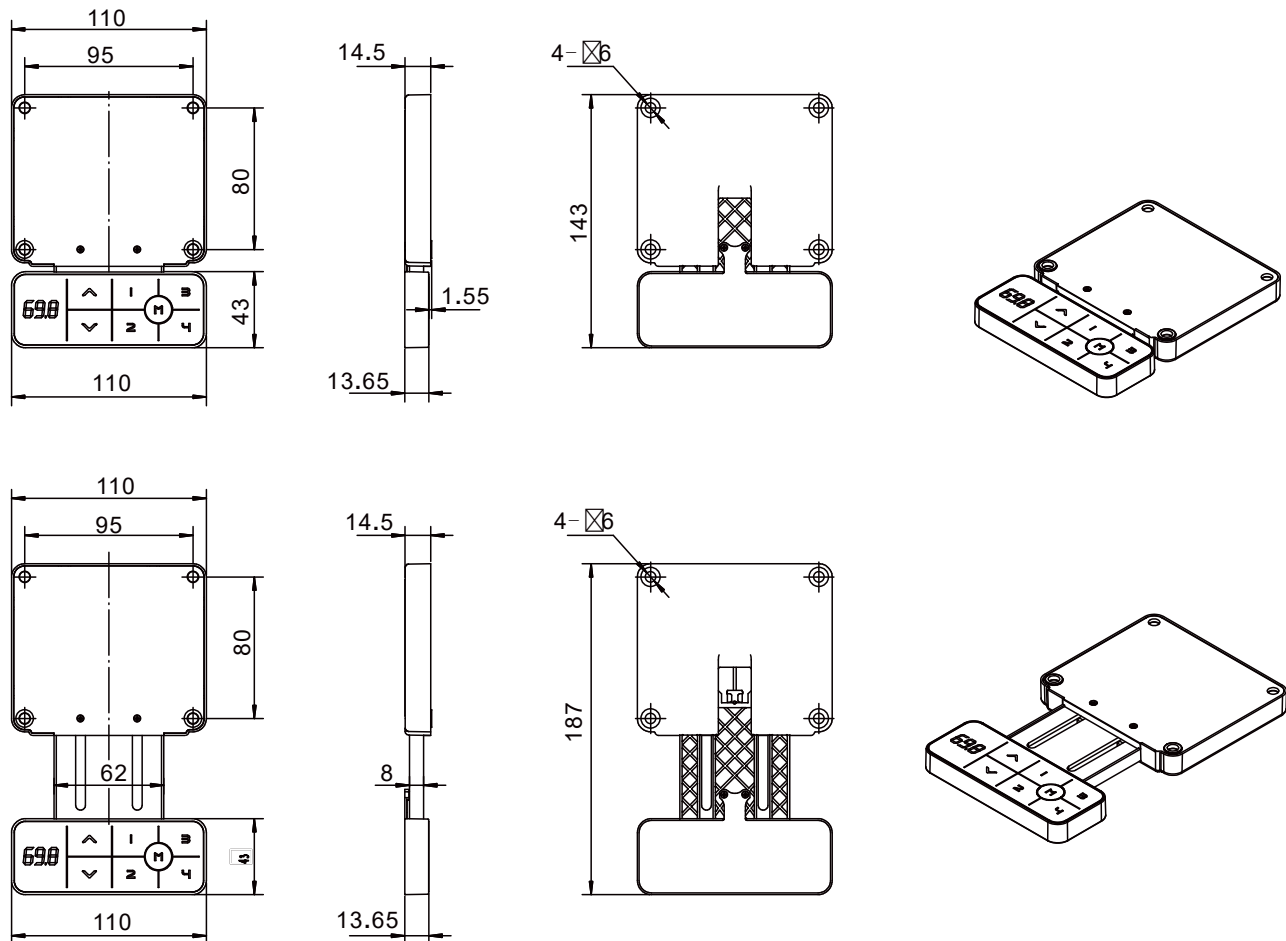
Specifications

NKHT15

- * NKHT15 is an innovative touchable and stretchable handset, which is the perfect choice for office desks, movement via a simple touch. Besides of ordinary up-down adjustment, it has 4 memory positions and is matched with series of NAKIN NKCB11-14 control box to control all kinds of adjustable desk. NKHT15 can be installed in various types of height adjustable desks, making easy use of pressing up & down button to control desk lifting. The retracted and stretched designs are the keyword. It can also be retractable under the desk when not in use.
- * Feature: LED displays actual height; 7 touchable buttons; Touch screen, retracted and stretched design; wire length: 2000mm with 8-pin crystal plug.
- * Option: Customized logo; Customized panel icon.
- * Compatible control box: NKCB11; NKCB12; NKCB13; NKCB14
- * Operation Temperature: Indoors (+5°C~+40°C)



Dimensions



Linear Actuator
Lifting Column
Controller
Operator
Accessory