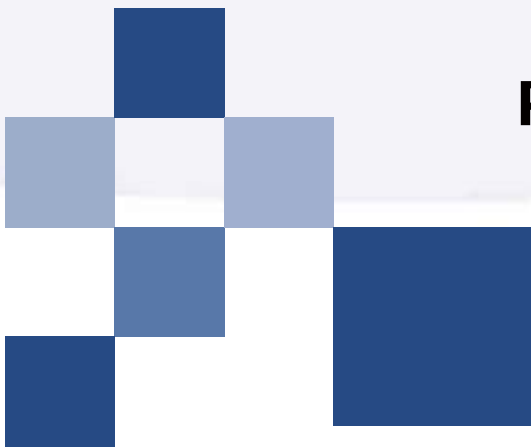


Zhejiang NAKIN Intelligent Technology Co., Ltd



Product manual



Specifications

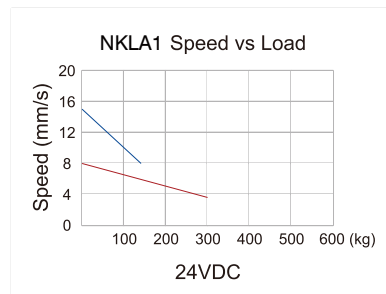
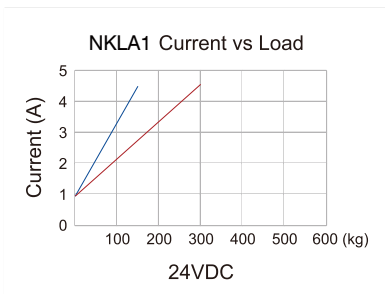
NKLA1

- * Stroke Length: 100~400mm(option>400)
- * Color: Black/Silver grey
- * Limit Switch: No
- * Overload Protection: Yes
- * Duty Cycle: 10%, max 2min continuous use
- * IP Grade: IP54
- * Operating Temperature: +5°C~+40°C
- * Standard: CE

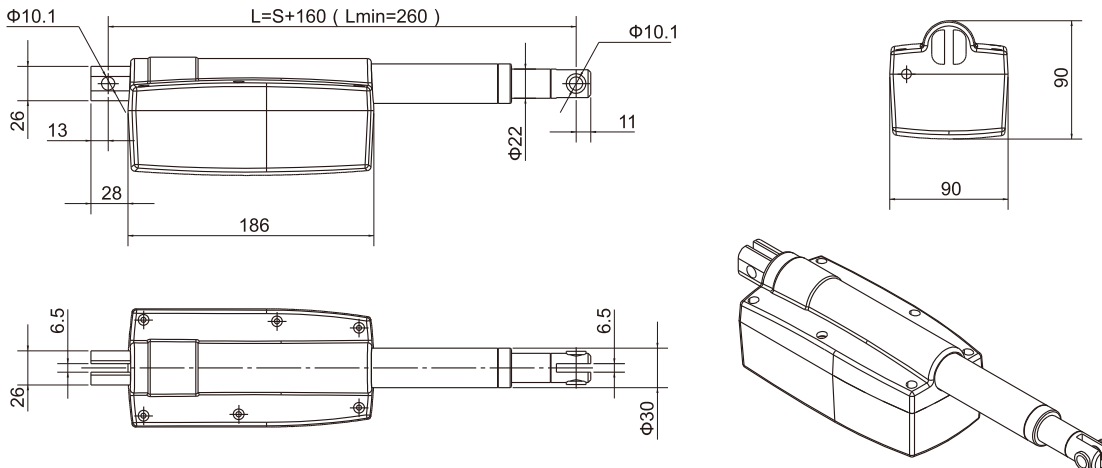


Load and Speed

Dynamic Load push(N)	3000	1500
Dynamic Load pull(N)	2000	1500
Static Load Push(N)	3000	1500
Static Load Pull(N)	2000	1500
Input(VDC)	24	
Speed at Full Load(mm/s)	5	9



Dimensions



Specifications

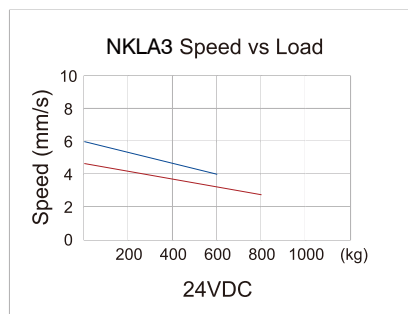
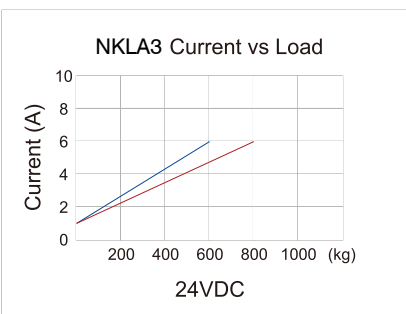
NKLA3

- * Stroke Length: 100~400mm(option >400)
- * Color: Black/Silver grey
- * Limit Switch: Built-in
- * Overload Protection: Yes
- * Duty Cycle: 10%, max 2min continuous use
- * IP Grade: IP54
- * Operating Temperature: +5°C~+40°C
- * Standard: CE/UL
- * Optional Part: Read switch option

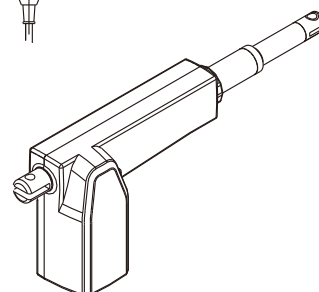
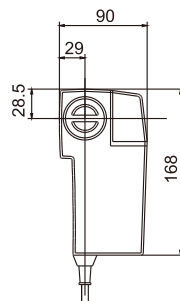
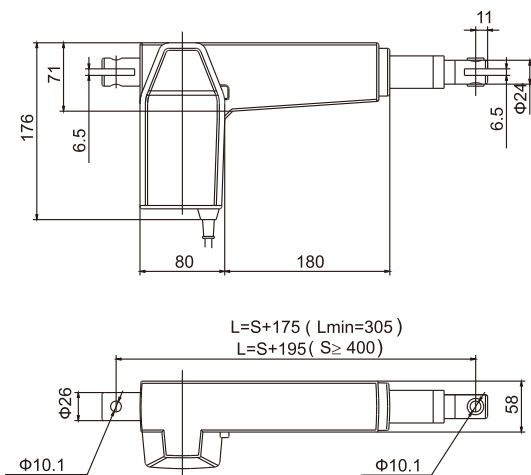


Load and Speed

Dynamic Load push(N)	8000	6000
Dynamic Load pull(N)	6000	6000
Static Load Push(N)	8000	6000
Static Load Pull(N)	6000	6000
Input(VDC)	24	
Speed at Full Load(mm/s)	3	4



Dimensions



Specifications

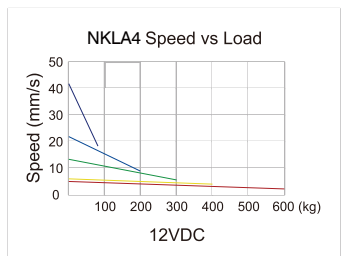
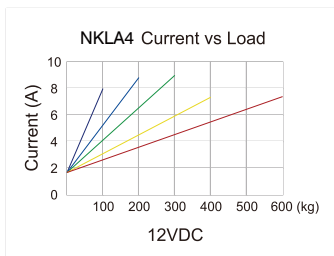
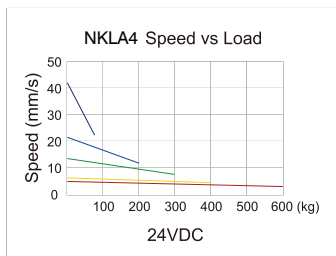
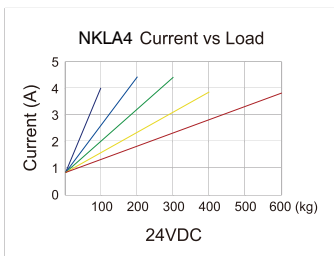
NKLA4

- * Stroke Length: 100~400mm(option>400)
- * Color: Black/Silver grey
- * Limit Switch: Built-in
- * Overload Protection: Yes
- * Duty Cycle: 10%, max 2min continuous use
- * IP Grade: IP43
- * Operating Temperature: +5°C~+40°C
- * Standard: CE/UL60601
- * Optional Part: Hall sensor option; Reed switch option; Only push option; Relay free option

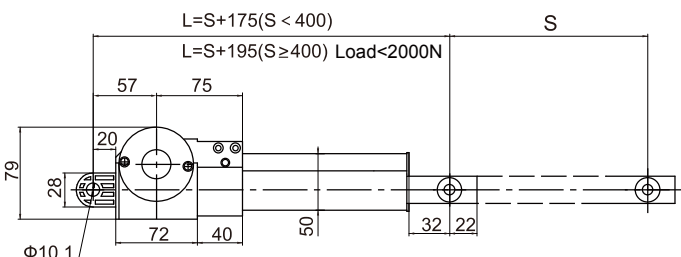
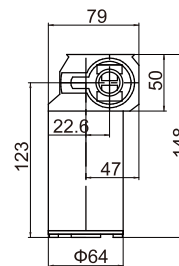
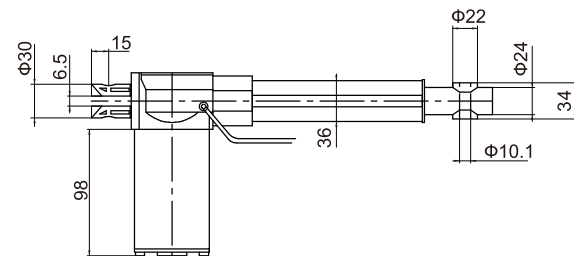


Load and Speed

Dynamic Load push(N)	6000	4000	3000	2000	1000
Dynamic Load pull(N)	4000	4000	3000	2000	1000
Static Load Push(N)	6000	4000	3000	2000	1000
Static Load Pull(N)	4000	4000	3000	2000	1000
Input(VDC)	24/12				
Speed at Full Load(mm/s)	3	4	6	9	20



Dimensions



Specifications

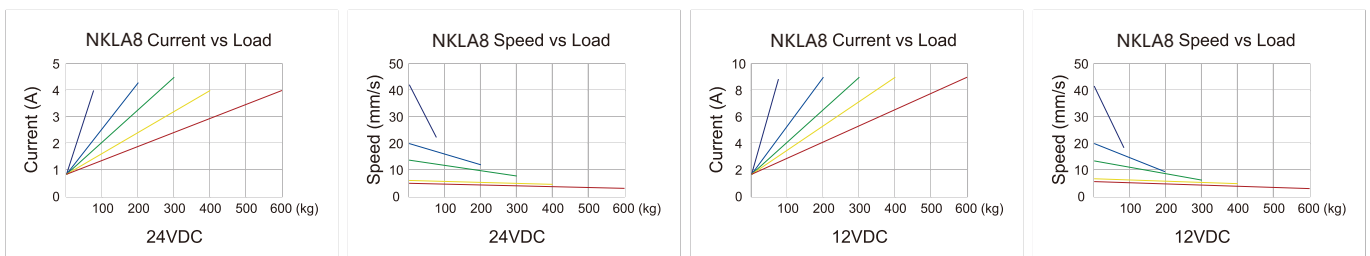
NKLA8

- * Stroke Length: 50~1000mm
- * Color: Black/Silver grey
- * Limit Switch: Built-in
- * Overload Protection: Yes
- * Duty Cycle: 10%, max 2min continuous use
- * IP Grade: IP66
- * Operating Temperature: +5°C~+40°C
- * Standard: CE/UL60601/EN60601
- * Optional Part: Hall sensor option; Reed switch option; Only push option; Relay free option

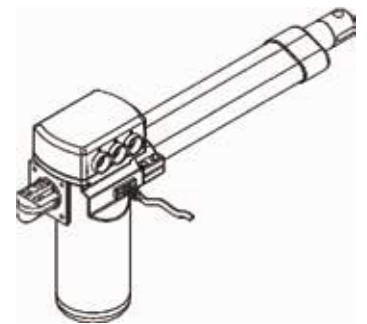
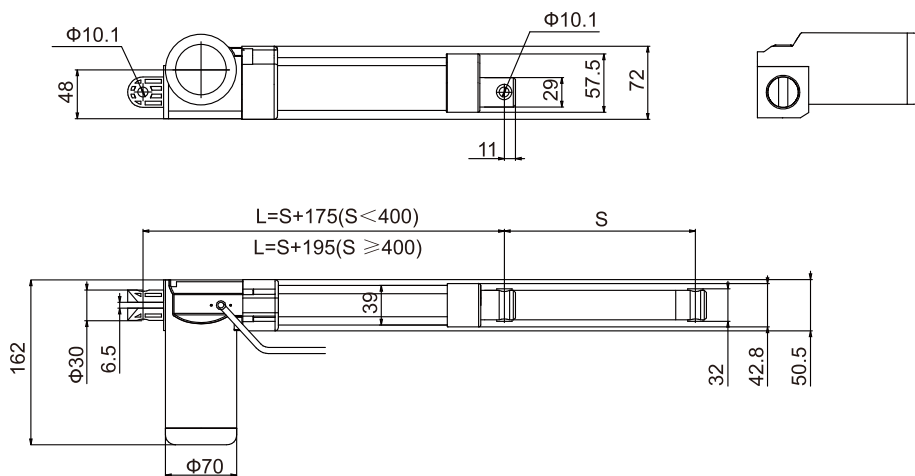


Load and Speed

Dynamic Load push(N)	6000	4000	3000	2000	1000
Dynamic Load pull(N)	4000	4000	3000	2000	1000
Static Load Push(N)	6000	4000	3000	2000	1000
Static Load Pull(N)	4000	4000	3000	2000	1000
Input(VDC)	12/24				
Speed at Full Load(mm/s)	3	4	6	9	20



Dimensions



mounted with control box

Specifications

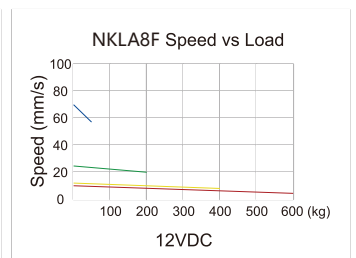
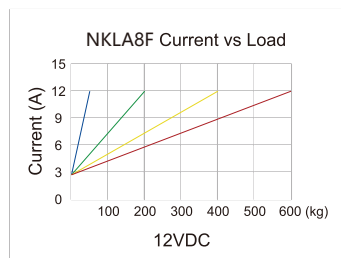
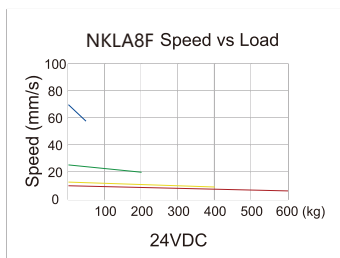
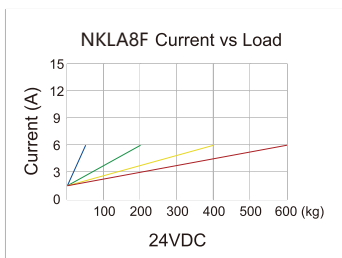
NKLA8F

- * Stroke Length: 50~1000mm
- * Color: Black/Silver grey
- * Limit Switch: Built-in
- * Overload Protection: Yes
- * Duty Cycle: 10%, max 2min continuous use
- * IP Grade: IP66
- * Operating Temperature: +5°C~+40°C
- * Standard: CE
- * Optional Part: Only push option

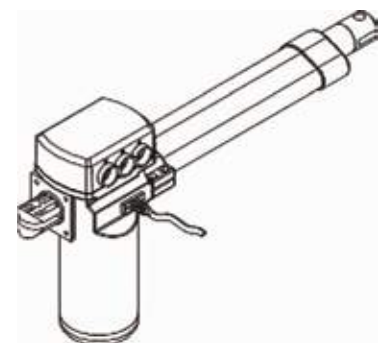
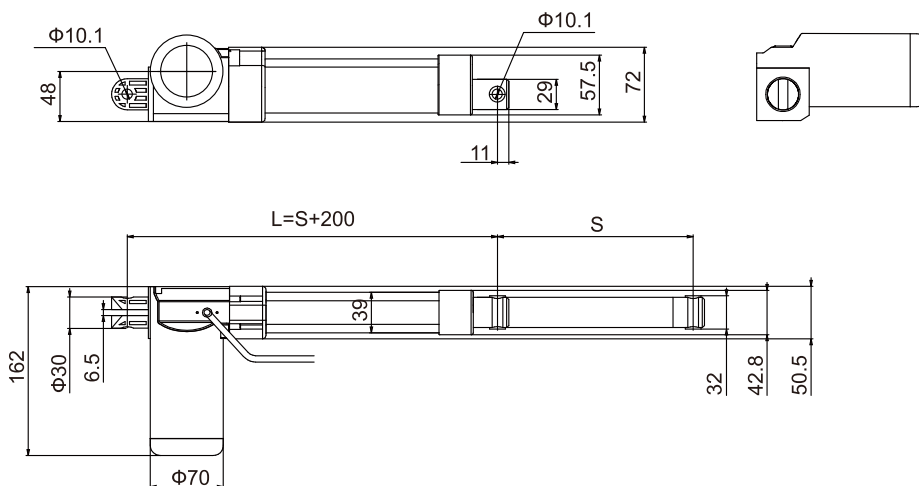


Load and Speed

Dynamic Load push(N)	4000	2000	1000	500
Dynamic Load pull(N)	4000	2000	1000	500
Static Load Push(N)	4000	2000	1000	500
Static Load Pull(N)	4000	2000	1000	500
Input(VDC)	24/12			
Speed at Full Load(mm/s)	9	18	45	55



Dimensions



mounted with control box

Specifications

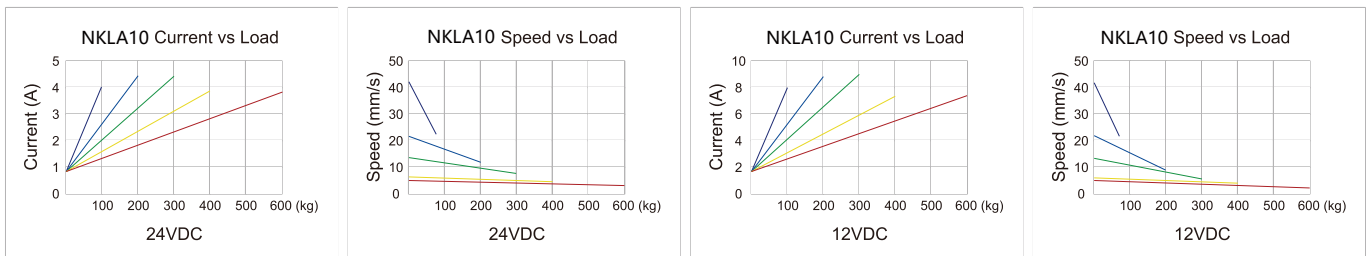
NKLA10

- * Stroke Length: 50~400mm
- * Color: Black/Silver grey
- * Limit Switch: Built-in
- * Overload Protection: Yes
- * Duty Cycle: 10%, max 2min continuous use
- * IP Grade: IP43
- * Operating Temperature: +5°C~+40°C
- * Standard: CE/UL60601

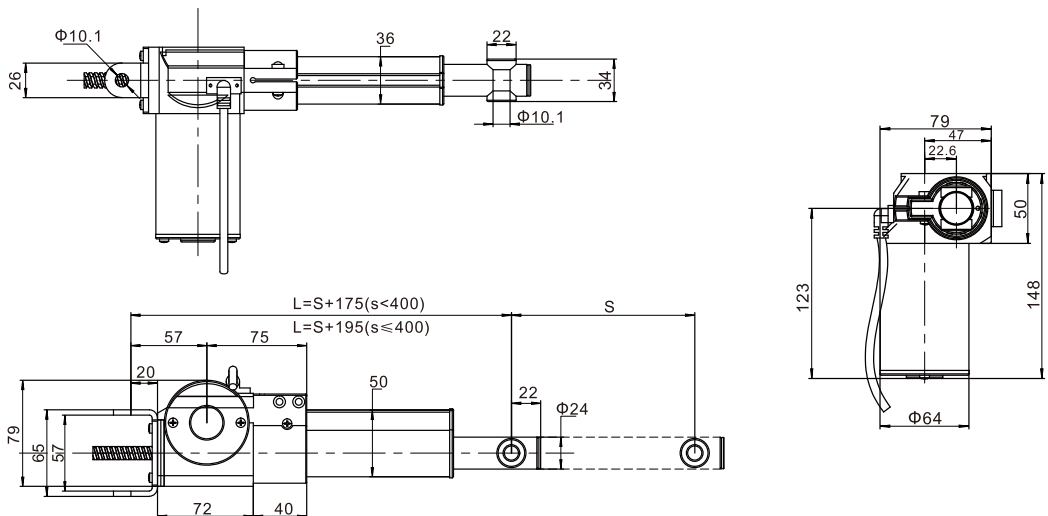


Load and Speed

Dynamic Load push(N)	6000	4000
Dynamic Load pull(N)	4000	4000
Static Load Push(N)	5000	3500
Static Load Pull(N)	4000	3500
Input(VDC)	24/12	
Speed at Full Load(mm/s)	3	4



Dimensions



Specifications

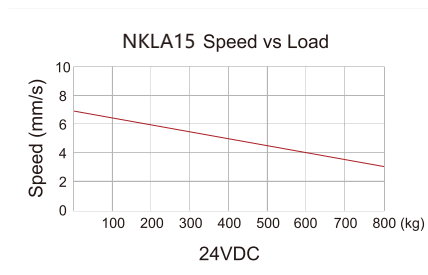
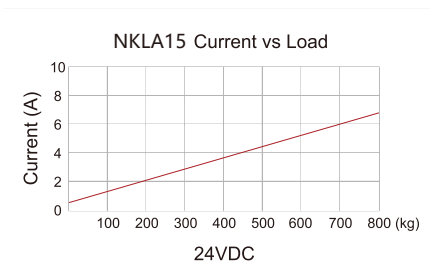
NKLA15

- * Stroke Length: 50~600mm
- * Color: Silver grey
- * Limit Switch: Built-in
- * Overload Protection: Yes
- * Duty Cycle: 10%, max 2min continuous use
- * IP Grade: IP54
- * Operating Temperature: +5°C~+40°C
- * Optional Part: Head rotate
- * Ideal for patient lift applications

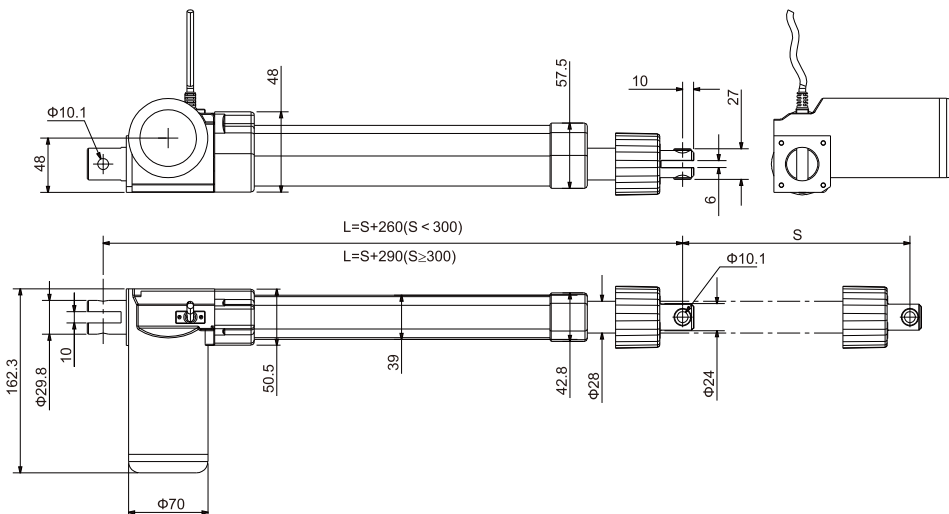


Load and Speed

Dynamic Load push(N)	8000
Dynamic Load pull(N)	8000
Input(VDC)	24
Speed at No Load(mm/s)	6.5
Speed at Full Load(mm/s)	3.5



Dimensions



Max weight of the patient is 180kgs

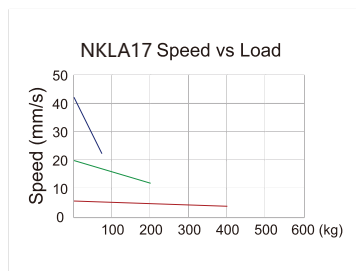
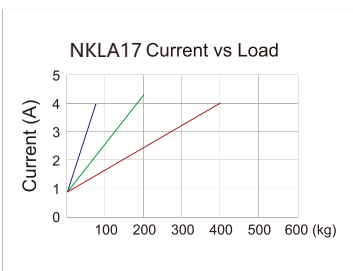
Specifications

NKLA17

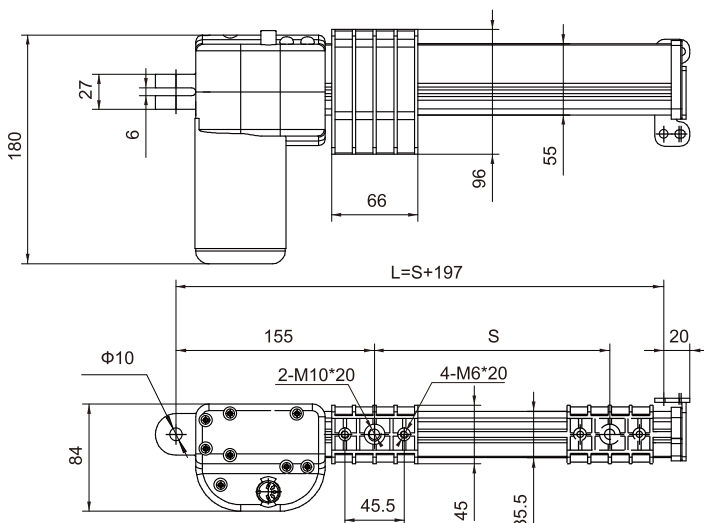
- * Stroke Length: 100~400mm(option>400)
- * Color: Black/Silver grey
- * Limit Switch: Built-in
- * Overload Protection: Yes
- * Duty Cycle: 10%, max 2min continuous use
- * IP Grade: IP20
- * Operating Temperature: +5°C~+40°C
- * Standard: CE



Dynamic Load push(N)	4000	2000	750
Dynamic Load pull(N)	3000	1500	500
Static Load(N)	3000	1500	500
Input(VDC)	24/12		
Speed at Full Load(mm/s)	4	9	22



Dimensions



Specifications

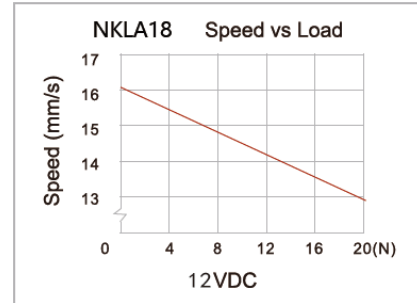
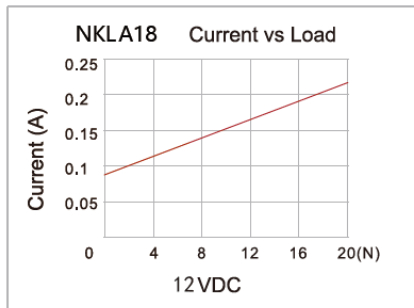
NKLA18

- * Stroke Length : 10~300mm
- * Color : black
- * Limit Switch : Built-in
- * Duty Cycle : 10% , max 2min continuous use
- * IP Grade : IP54/IP66
- * Operating Temperature : -25°C~+65°C
- * Standard : CE

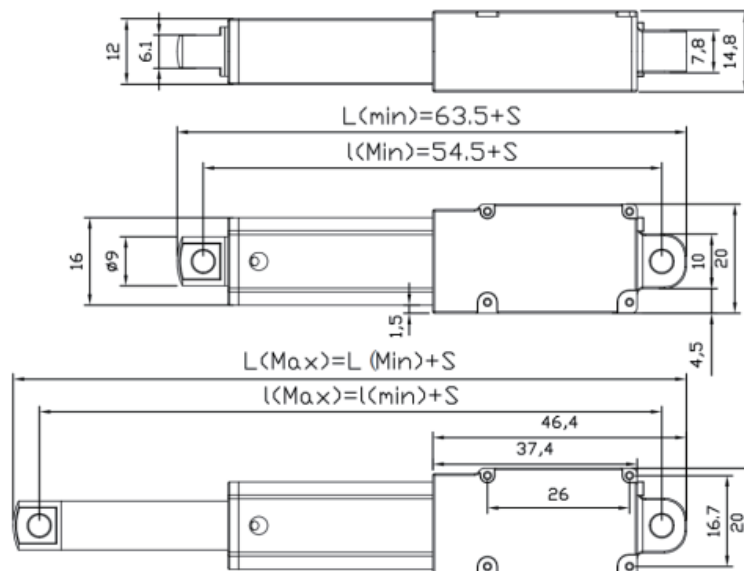


Load and Speed

Maximum load (N)	6	18	30	60	60	60	120
Rated Force (N)	4.8	14.4	24	48	48	48	48
Self-locking force (N)	>8	>24	>33	>60	>120	>160	>235
Stall torque (N)	>8	>24	>40	>80	>120	>160	>235
Input Voltage (VDC)	12	12	12	12	12	12	12
Load speed (mm/s)	125	45	25	14	7.5	6.5	4.5



Dimensions



Specifications

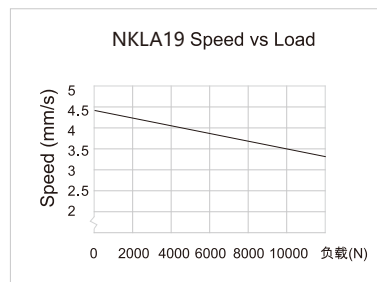
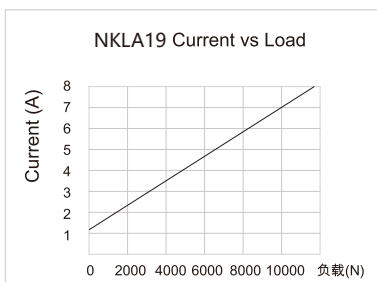
NKLA19

- * Stroke Length: $\leq 400\text{mm}$
- * Color: Silver grey
- * Limit Switch: Built-in
- * Duty Cycle: 10%, max 2min continuous use
- * IP Grade: IP66
- * Operating Temperature: $+5^{\circ}\text{C} \sim +40^{\circ}\text{C}$
- * Optional Part: Hall sensor option; Manual operation; Only push option

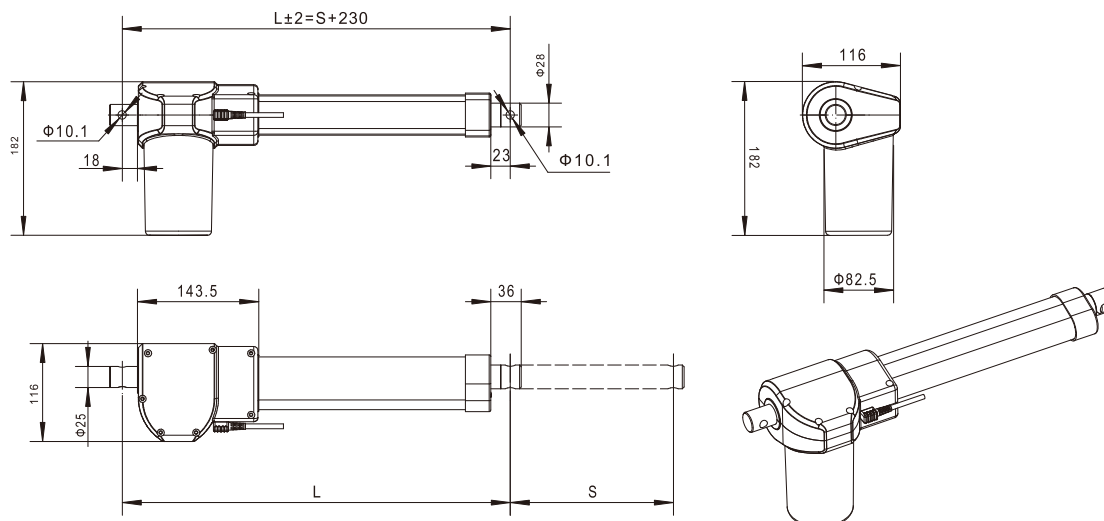


Load and Speed

Dynamic Load push(N)	>10000
Static Load Push(N)	>10000
Input(VDC)	24
Speed at Full Load(mm/s)	3.5



Dimensions



Specifications

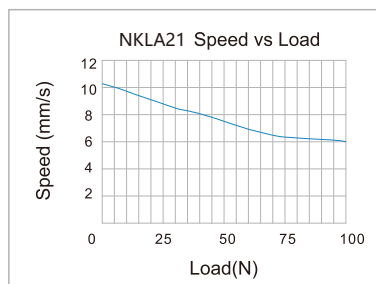
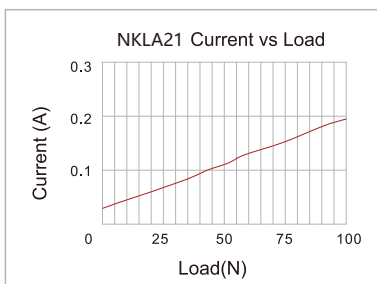
NKLA21

- * Stroke Length: 25~200mm
- * Color: Black
- * Limit Switch: Built-in
- * Duty Cycle: 30%, max 5min continuous use
- * IP Grade: IP54
- * Operating Temperature: +5°C~+40°C
- * Standard: CE

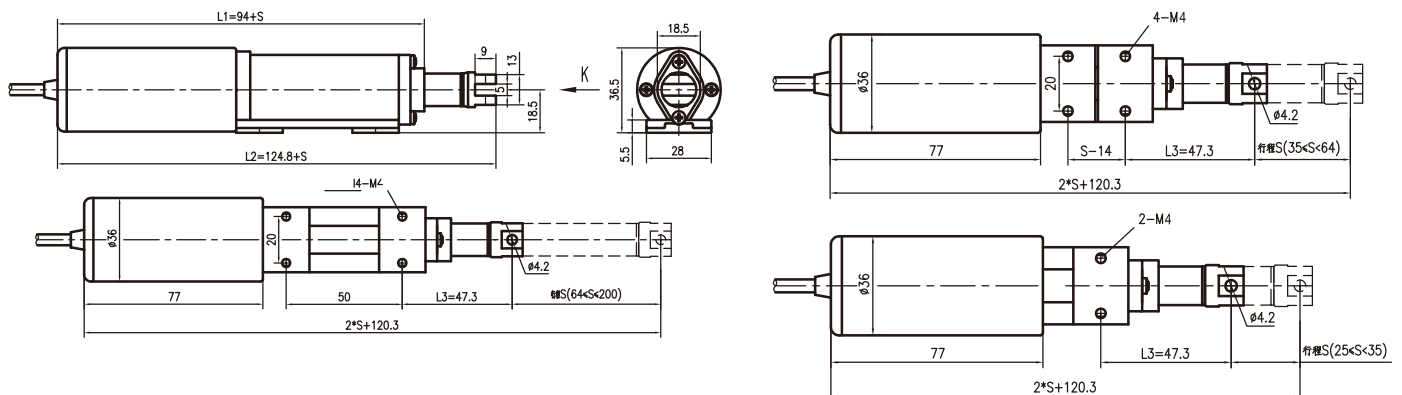


Load and Speed

Dynamic Load push(N)	100
Dynamic Load pull(N)	50
Static Load(N)	50
Input(VDC)	12
Speed at Full Load(mm/s)	7



Dimensions



Specifications

NKLA22

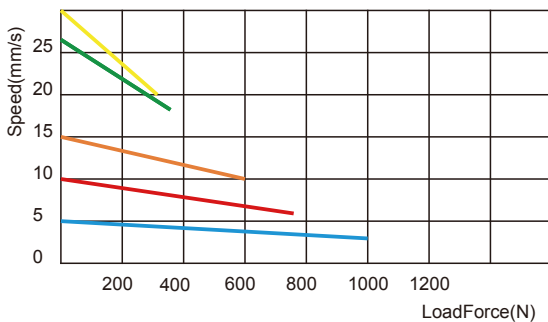
- * Stroke Length: 50~1000mm
- * Color: Grey
- * Limit Switch: Built-in
- * Duty Cycle: 10%, max 2min continuous use
- * IP Grade: IP65/54
- * Operating Temperature: -26°C~+65°C
- * Standard: CE
- * Optional Part: Sphericla plain bearing
- * Powder Metallurgy Gear



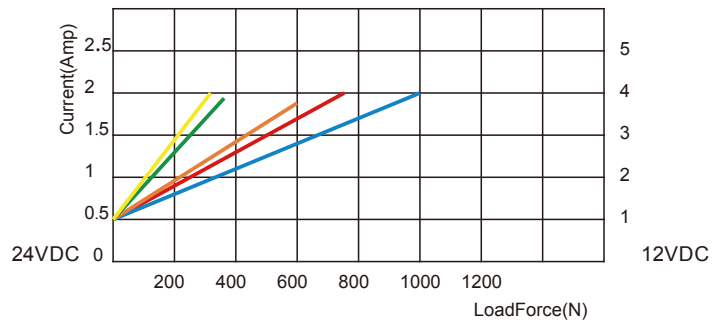
Load and Speed

Dynamic Load Push(N)	1000	900	800	700	600	400	300	200	100	50
Dynamic Load Pull(N)	1000	900	800	700	600	400	300	200	100	50
Input(VDC)	12/24/36/48									
No Load Speed(mm/s)	3	6	10	13	16	20	26	30	50	80

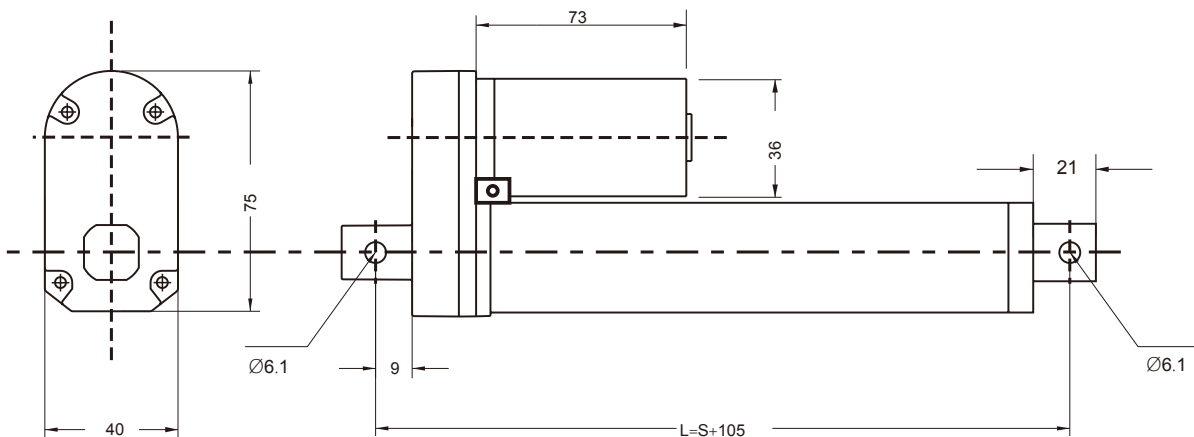
Speed VS Load



Current VS Load



Dimensions



Specifications

NKLA22-BL(Brushless motor)

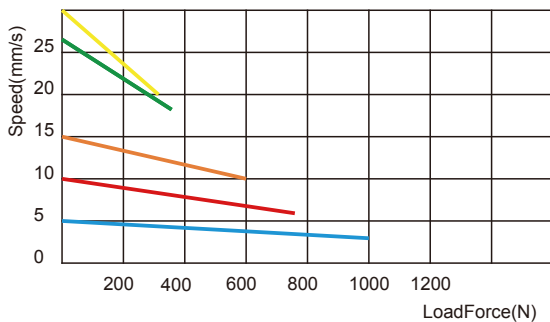
- * Stroke Length: 100~400mm(option>400)
- * Color: Silver Grey
- * Limit Switch: Built-in
- * Duty Cycle: Continuous use
- * IP Grade: IP54/65
- * Operating Temperature: +5°C~+40°C
- * : CE
- * Brushless motor
- * Optional Part: Sphericla plain bearing



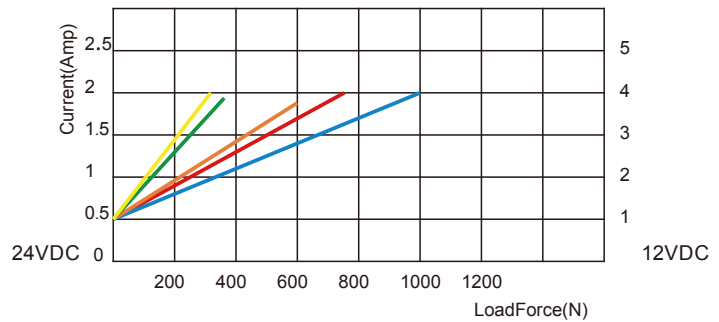
Load and Speed

Dynamic Load(N)	1000	800	750	600	350	300
Static Load(N)	1000	800	750	600	350	300
Speed at Full Load(mm/s)	3	4	5	10	17	20
Input(VDC)	12/24					

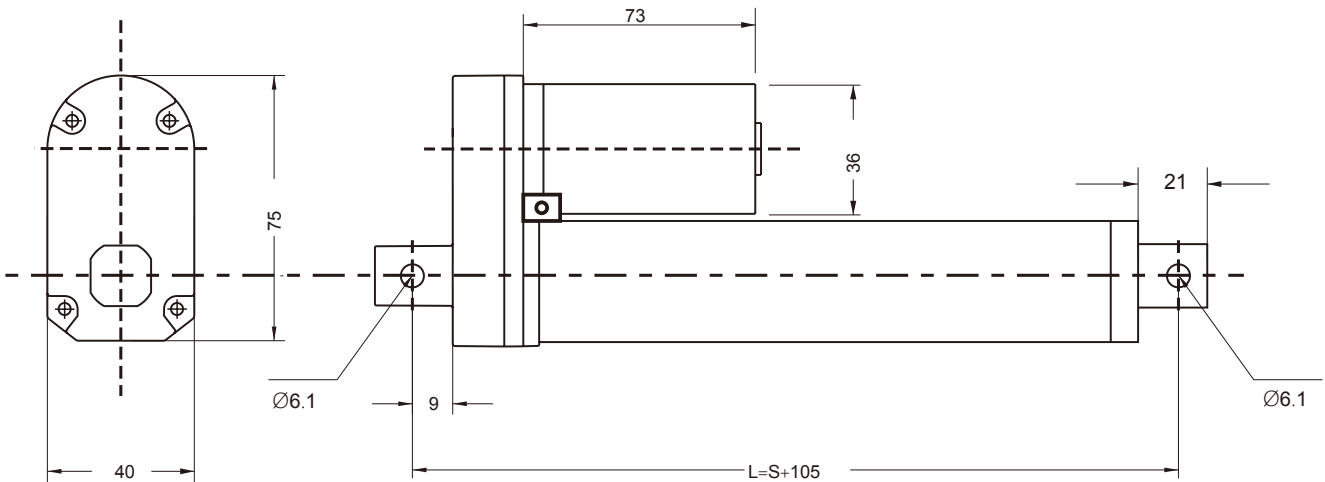
Speed VS Load



Current VS Load



Dimensions



Specifications

NKLA22A

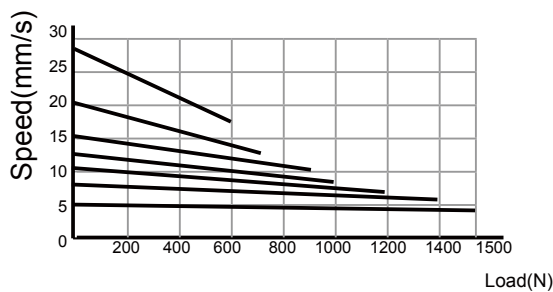
- * Stroke Length: 100~400mm(option>400)
- * Color: Grey
- * Duty Cycle: 20%(high speed 10%)
- * IP Grade: IP54/65
- * Operating Temperature: -26°C~+65°C
- * Standard: CE



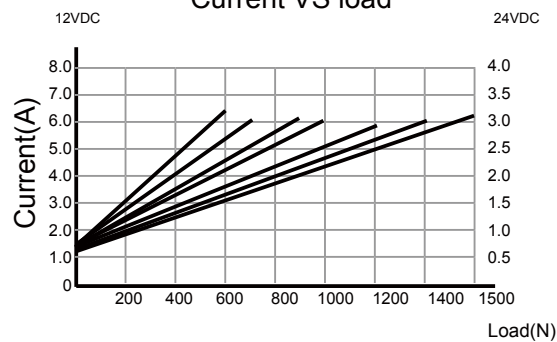
Load and Speed

Dynamic Load Push(N)	1500	1400	1200	1000	900	700	600
Dynamic Load Pull(N)	1500	1400	1200	1000	900	700	600
Input(VDC)	12/24/36/48						
Speed at No Load(mm/s)	4	7	10	13	17	20	27

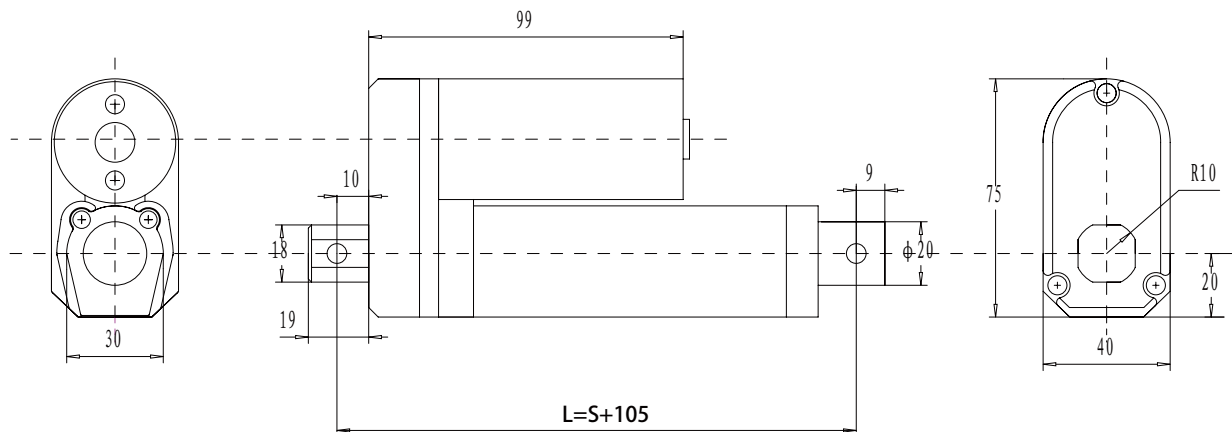
Speed VS load



Current VS load



Dimensions



Specifications

NKLA22B

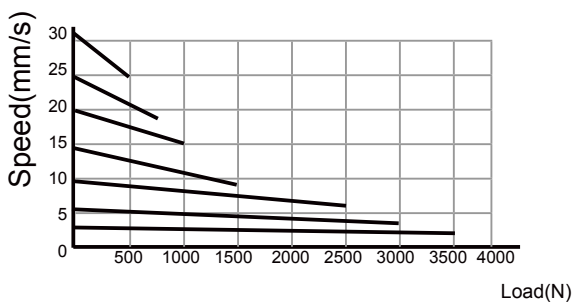
- * Stroke Length: 50~1000mm
- * Color: Black
- * Limit Switch: Built-in
- * Duty Cycle: 20%(high speed 10%)
- * IP Grade: IP54/65
- * Operating Temperature: -40°C~+65°C
- * Standard: CE



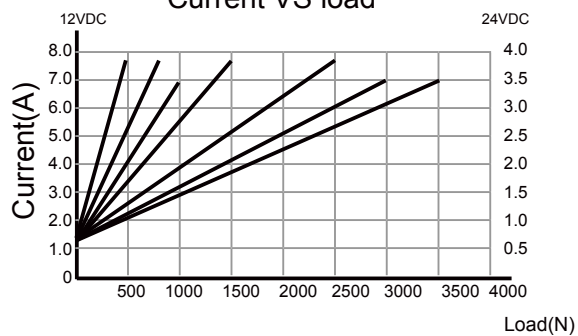
Load and Speed

Dynamic Load Push(N)	3500	3000	2500	1000
Dynamic Load Pull(N)	3500	3000	2500	1000
Input(VDC)	12/24/36/48			
Speed at Full Load(mm/s)	3	5	8	15

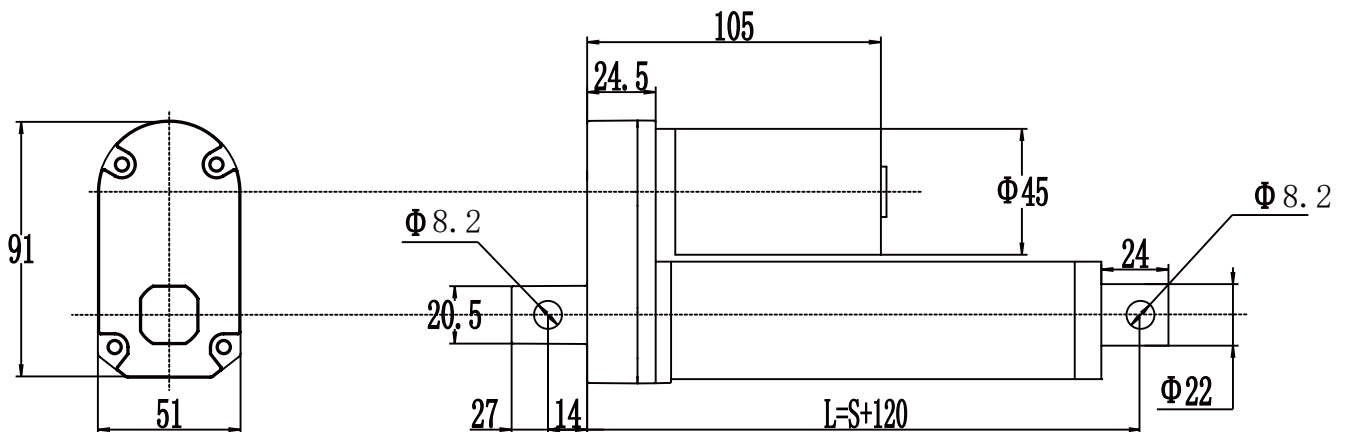
Speed VS load



Current VS load



Dimensions



Specifications

NKLA22-S/NKLA22-SF

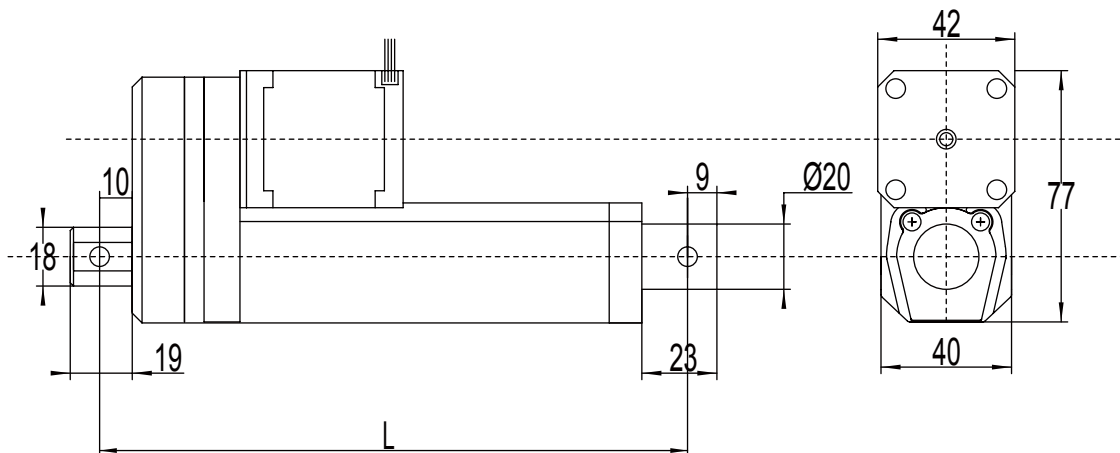
- * Stepper motor
- * Stroke Length : 50~600mm
- * Voltage: 12V-24V DC
- * Limit Switch : Built-in
- * Duty Cycle : Continuous use
- * IP Grade: IP43
- * Operating Temperature: -26°C~+65°C
- * Standard: CE



Load and Speed

Model 1	NKLA22-SF						
Dynamic Load Push(N)	500	400	300	250	150	100	50
Dynamic Load Pull(N)	500	400	300	250	150	100	50
Input(VDC)	12/24						
Speed at No Load(mm/s)	8	15	23	28	35	42	56
Model 2	NKLA22-S (Reduction ratio 1 : 30)						
Dynamic Load Push(N)	1000	900	800	600	400	300	
Dynamic Load Pull(N)	1000	900	800	600	400	300	
Input(VDC)	12/24						
Speed at No Load(mm/s)	0.3	0.6	1.0	1.6	2.0	2.6	

Dimensions



Stroke (±2mm)	50	100	150	200	250	300
Length(L)(±2mm)	155	205	255	305	355	405
Weight(kg)	0.7	0.79	0.88	0.94	1.04	1.11

Specifications

NKLA31

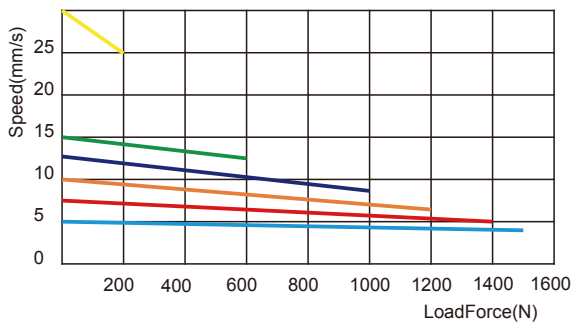
- * Stroke Length: 50~1000mm
- * Color: Silver Grey
- * Limit Switch: Built-in
- * Overload Protect: Yes
- * Duty Cycle: 10%, max 2min continuous use
- * IP Grade: IP54/65
- * Operating Temperature: -26°C~+65°C
- * Standard: CE
- * Optional Part: Sphericla plain bearing



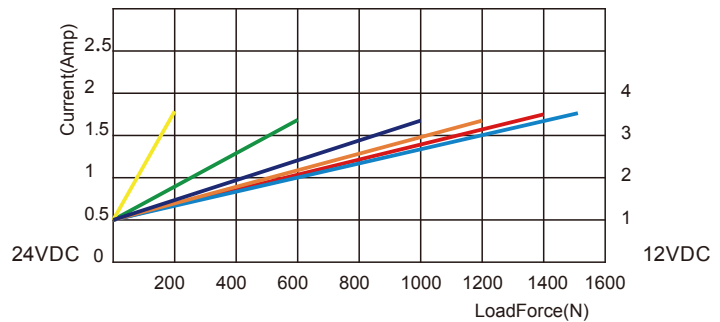
Load and Speed

Dynamic Load Push(N)	2000	1600	1000	800	600	400	300
Dynamic Load Pull(N)	2000	1600	1000	800	600	400	300
Input(VDC)	12/24/36/48						
Speed at No Load(mm/s)	3	4	5	7	10	12	15

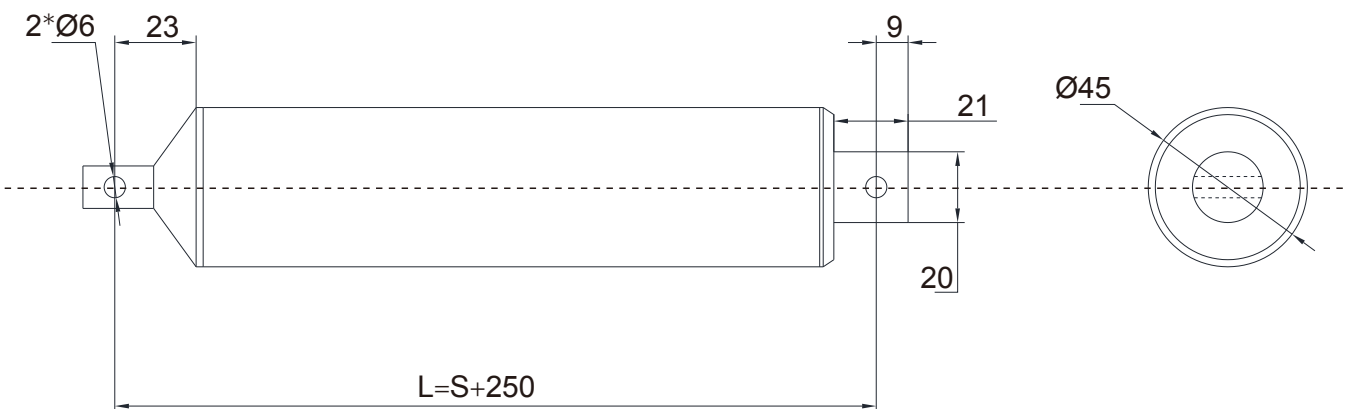
Speed VS Load



Current VS Load



Dimensions



Specifications

NKLA33

- * Stroke Length: 50~1000mm
- * Color: Black
- * Limit Switch: Built-in
- * Duty Cycle: 20%(high speed 10%)
- * IP Grade: IP65/IP66
- * Operating Temperature: -26°C~+65°C
- * Standard: CE
- * Optional Part: Sphericla plain bearing



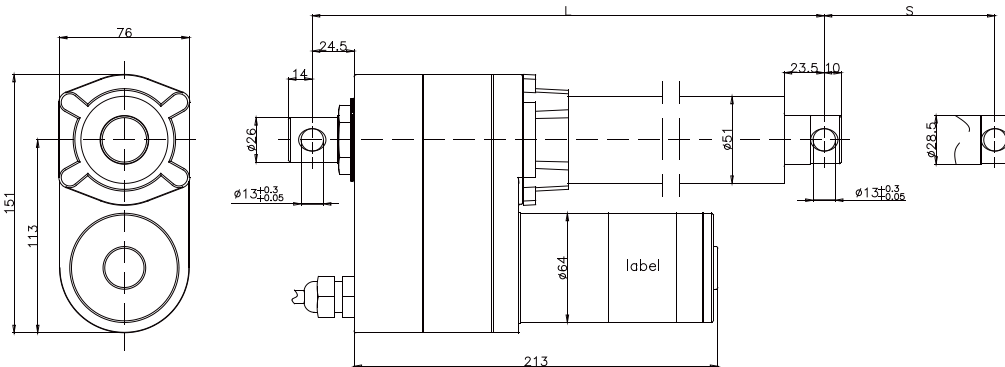
Load and Speed

Code	A	B	C	D	E	F
Dynamic Load(N)	7000	7000	5000	4000	3000	2000
Speed at No Load(mm/s)	5.5	8.5	11	17	22	35
Speed at Full Load(mm/s)	4	7	9.5	14	18	28.5
Input(VDC)	12/24/36/48					

Dimensions

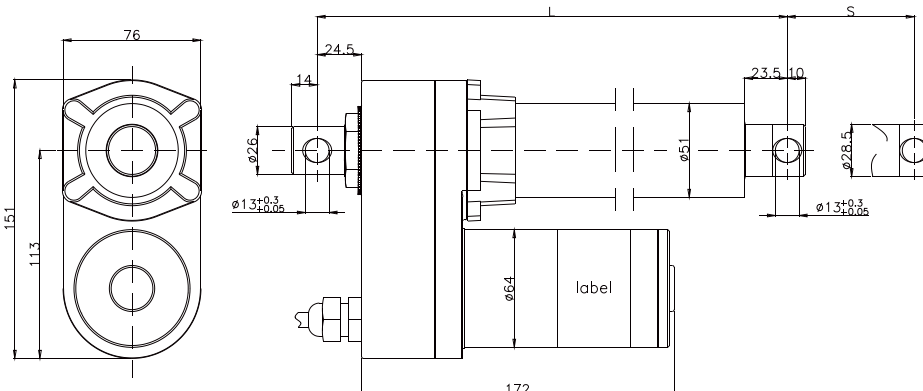
1、Installation dimensions with Limit switch

50≤Stroke < 400, L=S+250 400≤Stroke < 600, L=S+300 (Support installation of potentiometer)



2> : 无限位开关的安装尺寸

50≤Stroke < 400, L=S+200 400≤Stroke < 600, L=S+250 (potentiometer is not support)



Specifications

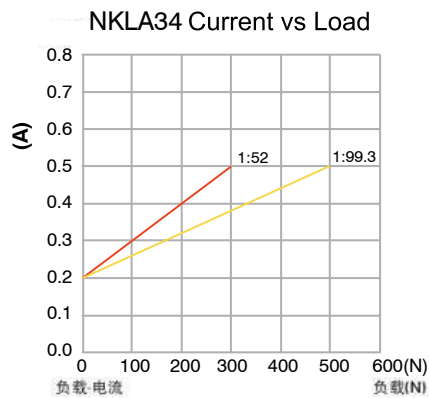
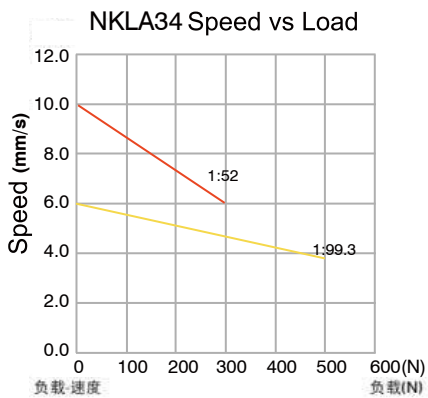
NKLA34

- * Stroke Length: 10~300mm
- * Color: Grey
- * Limit Switch: Built-in
- * Duty Cycle: 10%, max 2min continuous use
- * IP Grade: IP66
- * Operating Temperature: -25°C~+65°C
- * Standard: CE
- * Low noise: dB≤52

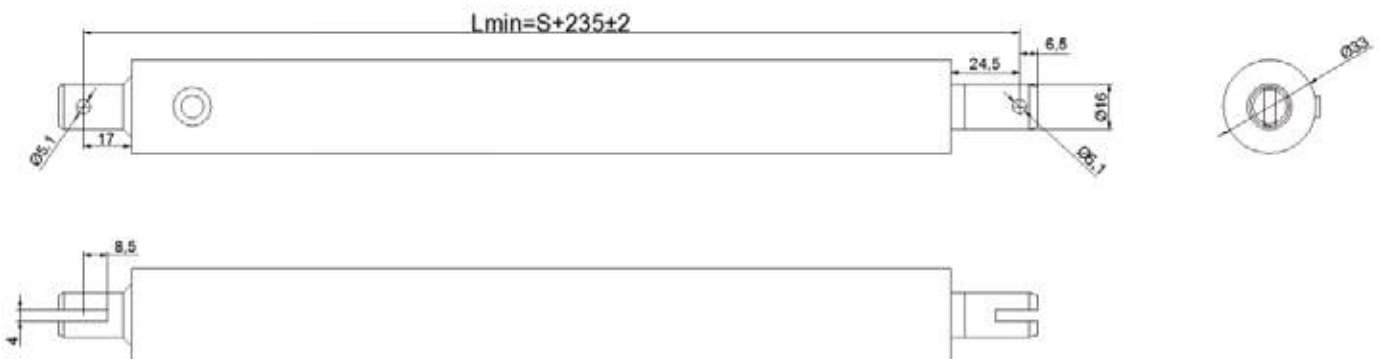


Load and Speed

Dynamic Load push(N)	300	400	500
Dynamic Load pull(N)	300	400	500
Input(VDC)	12/24		
Speed at Full Load(mm/s)	10	8	5.5



Dimensions



Specifications

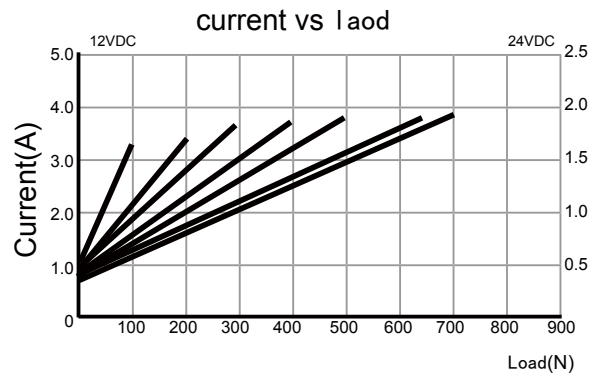
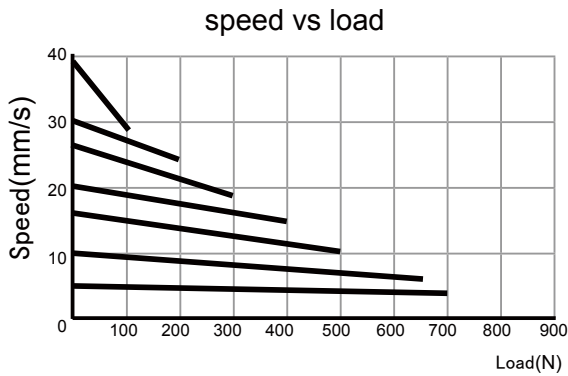
NKLA38

- * Stroke Length: 50~1000mm
- * Color: Grey
- * Limit Switch: Built-in
- * Duty Cycle: 20%(high speed 10%)
- * IP Grade: IP10
- * Operating Temperature: -20°C~+65°C
- * Standard: CE

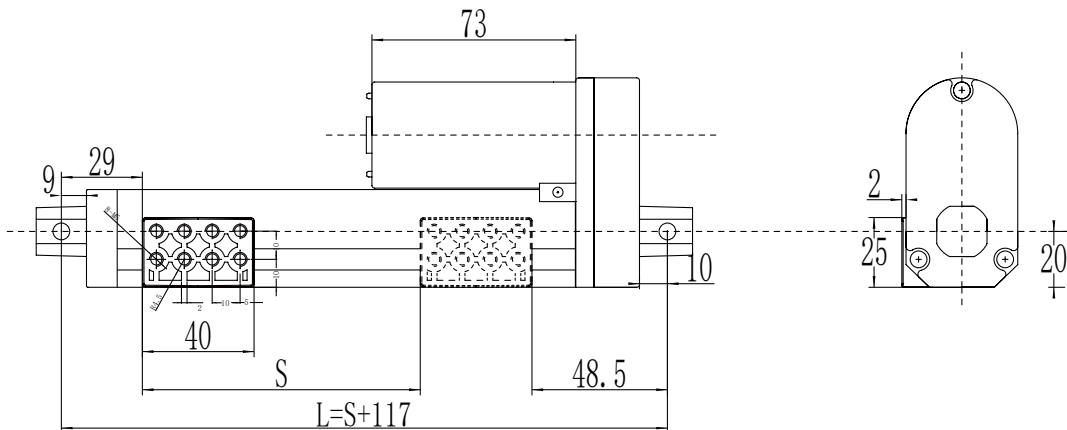


Load and Speed

Dynamic Load push(N)	700	500	300	100
Dynamic Load pull(N)	700	500	300	100
Input(VDC)	12/24/36/48			
Speed at Full Load(mm/s)	4	10	18	28



Dimensions



Specifications

NKLA39

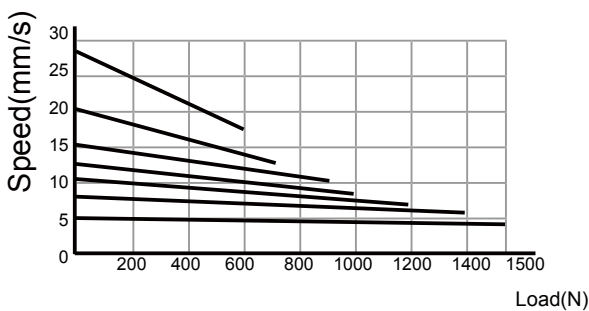
- * Stroke Length: 50~1000mm
- * Color: Silver Grey
- * Limit Switch: Built-in
- * Duty Cycle: 20%(high speed 10%)
- * IP Grade: IP54/65
- * Operating Temperature: -26°C~+65°C
- * Standard: CE
- * Optional Potentiometers: 1K, 5K, 10K



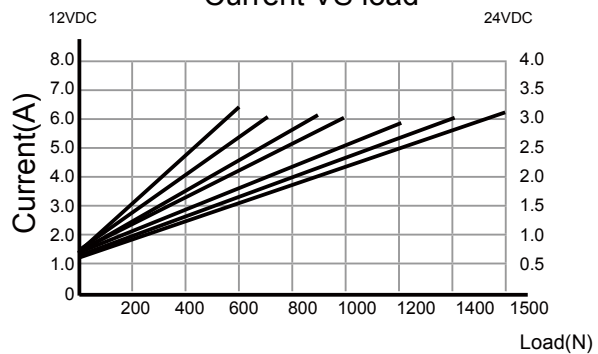
Load and Speed

Dynamic Load push(N)	1500	1200	600	200
Dynamic Load pull(N)	1500	1200	600	200
Input(VDC)	12/24/36/48			
Speed at Full Load(mm/s)	4	7	17	24

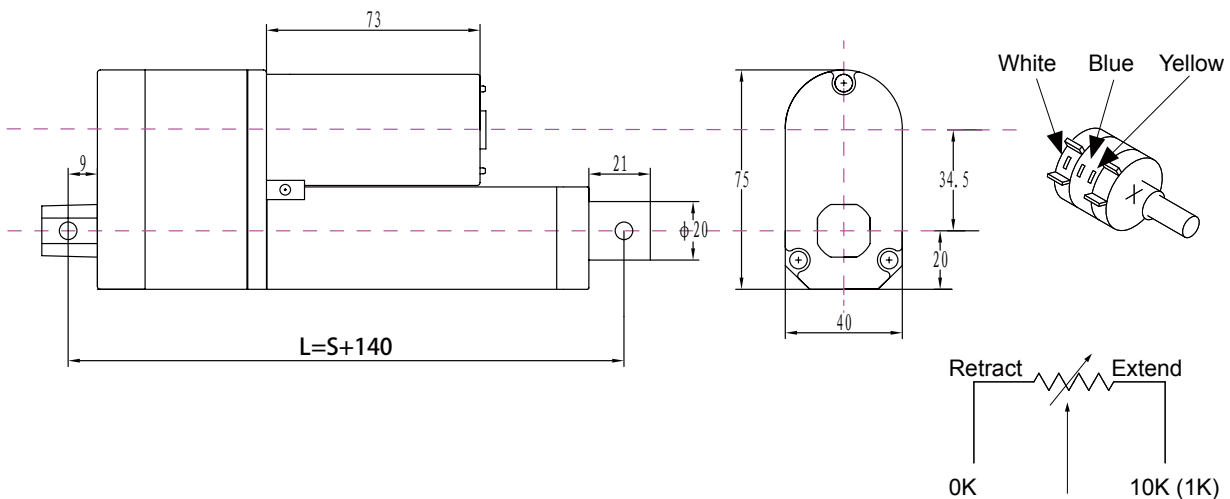
Speed VS load



Current VS load



Dimensions



Specifications

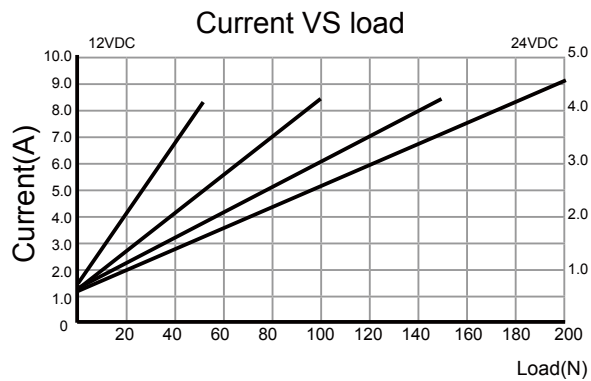
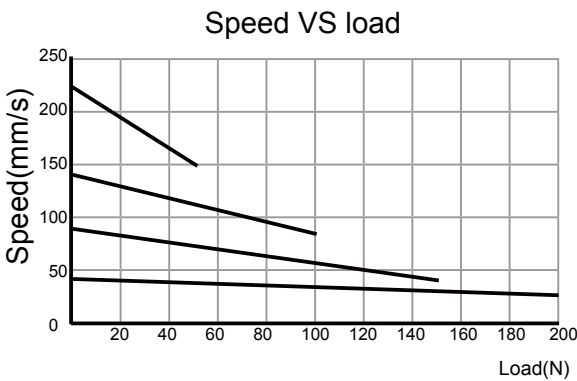
NKLA42

- * Stroke Length: 50~1000mm
- * Color: Silver Grey
- * Limit Switch: Built-in
- * Duty Cycle: 20%
- * IP Grade: IP54
- * Operating Temperature: -26°C~+65°C
- * Standard: CE
- * High speed

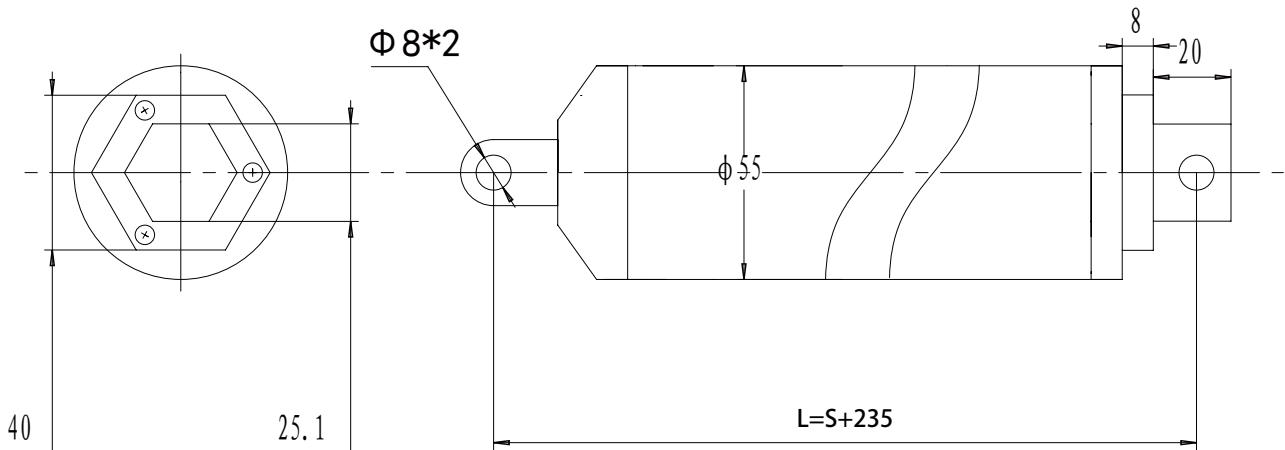


Load and Speed

Dynamic Load push(N)	50	100	150	200
Dynamic Load pull(N)	50	100	150	200
Input(VDC)	12/24/36			
Speed at Full Load(mm/s)	230	140	80	45



Dimensions



Specifications

NKLA45

- * Stroke Length: 50~500mm
- * Voltage : 12/24/36/48VDC
- * Limit Switch: Built-in
- * Operating Temperature: -45°C~+75°C
- * IP grade: IP66
- * Option: Hall sensor
- * Noise: 68dB
- * Applicable to industrial solar tracker system



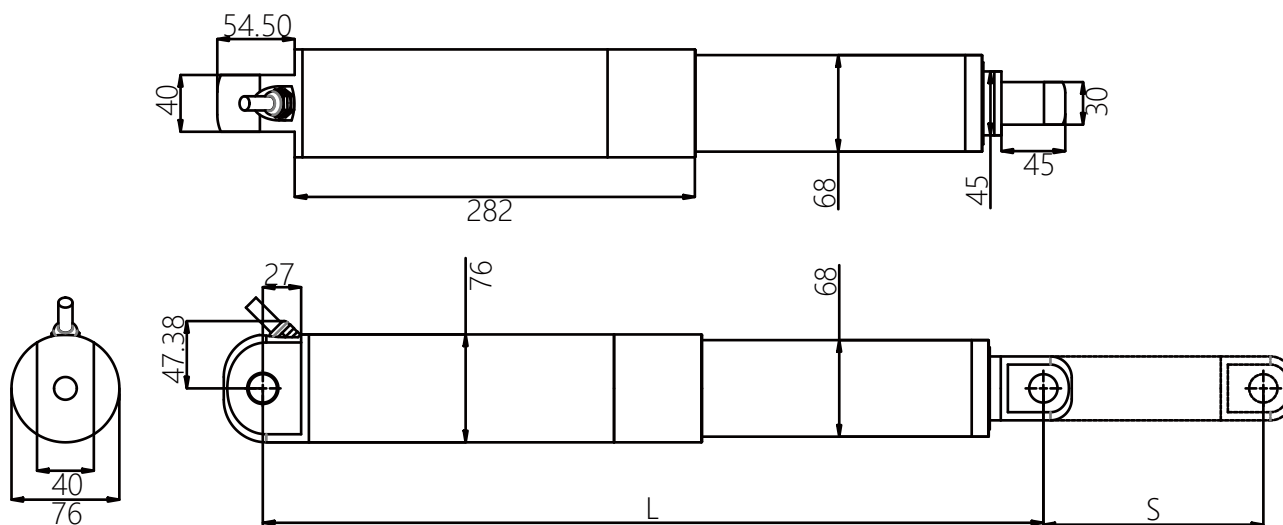
Load and Speed

Dynamic Load push(N)	20000	15000	13000	10000	6500
Dynamic Load pull(N)	20000	15000	13000	10000	6500
Current (A)	8.1	8.1	7.2	6.8	6.8
Input(VDC)	24				
Speed at Full Load(mm/s)	2	3	4	6	12

Dimensions

$$L=S+500\text{mm} \quad (S \leq 400\text{mm})$$

$$L=S+550\text{mm} \quad (S > 400\text{mm})$$



Specifications

NKLA46

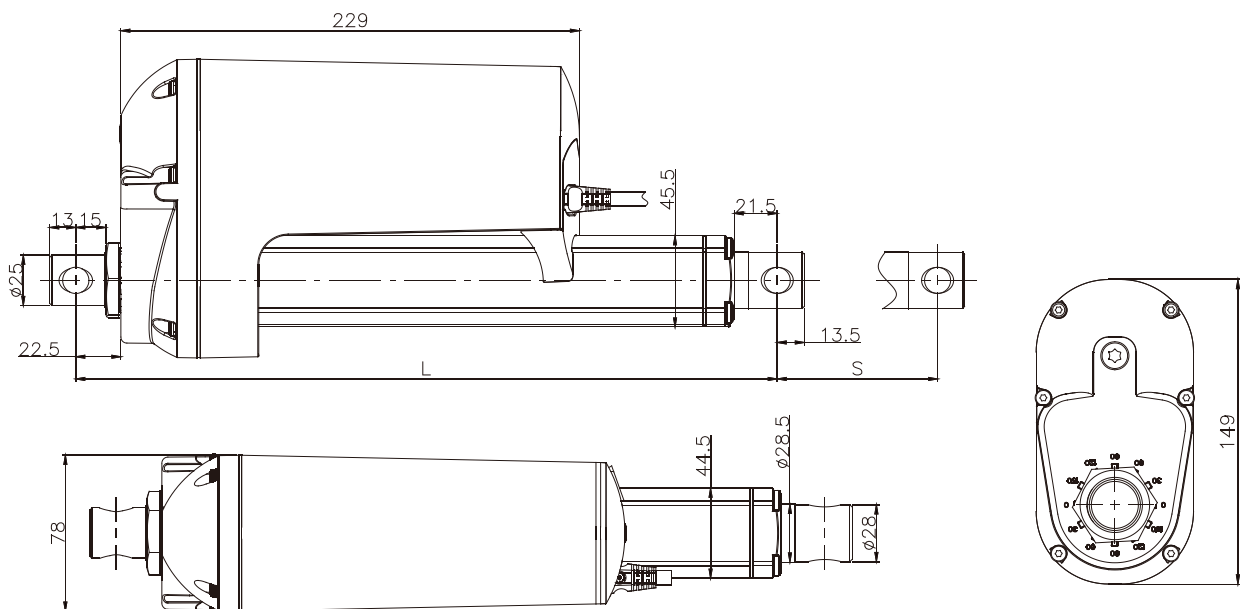
- * Stroke Length: 50~600mm
- * Color: Black
- * Limit Switch: Built-in
- * Overload Protection : Yes
- * Duty Cycle: 20%, max 4min continuous use
- * IP Grade: IP66
- * Operating Temperature: -40°C~+65°C
- * Option : Potentiometer , Hall sensor



Load and Speed

Dynamic Load push(N)	12000	11000	7500	10000	7000	5000	6500	4500	3200
Dynamic Load pull(N)	12000	11000	7500	10000	7000	5000	6500	4500	3200
Self-lock Push(N)	15000	12000	9000	12000	8000	6000	8000	5500	4000
Pitch(mm)	4			8			12		
10KΩ potentiometer full standard stroke	176mm e.g.: 100mm stroke=5.7kΩ			352mm e.g.: 200mm stroke=5.7kΩ			528mm e.g.: 500mm stroke=9.4kΩ		
Input(VDC)	12/24								
Speed at No Load(mm/s)	6.5	8.5	13	13	17	25	20	25	38
Speed at Full Load(mm/s)	4.5	6	9	7	9.5	14	11	13	24

Dimensions



Note: (1) $50 \leq \text{Stroke} \leq 300$, $L=S+200$ (Minimum installation distance 300)
 $300 < \text{Stroke} \leq 600$, $L=S+250$
 (2) Hole direction is $0^\circ / 180^\circ$

Specifications

NKLA47

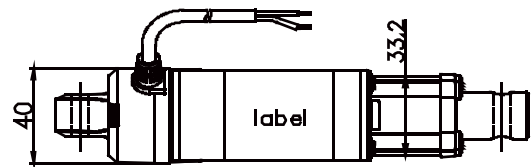
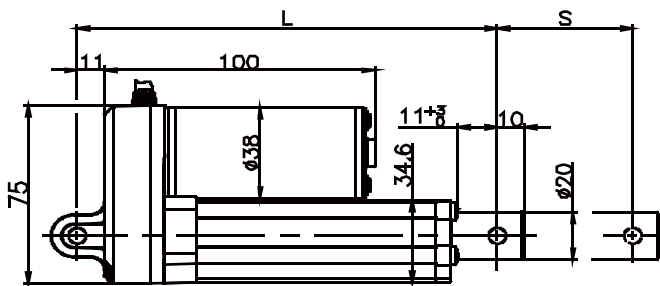
- * Stroke Length: 50~600mm
- * Color: Silver Grey
- * Limit Switch: Built-in
- * Overload Protection : Yes
- * Duty Cycle: 10%, max 2min continuous use
- * IP Grade: IP65
- * Operating Temperature: -40°C~+65°C
- * Option Feature : potentiometer



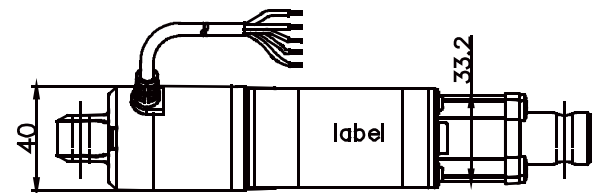
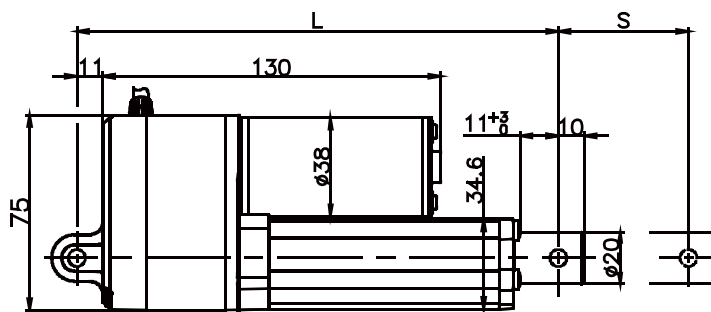
Load and Speed

Dynamic Load push(N)	200	100	50	600	500	250	1000	700	400	1200	800	450
Dynamic Load pull(N)	200	100	50	600	500	250	1000	700	400	1200	800	450
Input(VDC)	12/24/36/48											
Speed at No Load(mm/s)	40.0	60.0	80.0	10.5	16.5	25	7.2	11.5	17	5.5	8.5	13
Speed at Full Load(mm/s)	22.0	45.0	65.0	7.0	12	20.0	5.0	8.5	13.5	4.0	6.5	10.0

Dimensions



- (1) Dimension Standard
 $30 \leq \text{Stroke} < 300$, $L = S + 105$
 $300 \leq \text{Stroke} < 500$, $L = S + 120$
 $500 \leq \text{Stroke} \leq 600$, $L = S + 130$
 Mounting hole 90° (standard)



- (2) Dimension with potentiometer
 $30 \leq \text{Stroke} < 300$, $L = S + 135$
 $300 \leq \text{Stroke} < 500$, $L = S + 150$
 $500 \leq \text{Stroke} \leq 600$, $L = S + 160$
 Mounting hole 90° (standard)

Specifications

NKLA49

- * Stroke Length: 50~600mm
- * Color: Silver Grey
- * Limit Switch: Built-in
- * Overload Protection : Yes
- * Duty Cycle: 10%, max 2min continuous use
- * IP Grade: IP65/IP66
- * Operating Temperature: -40°C~+65°C
- * Option : Potentiometer / hall sensor

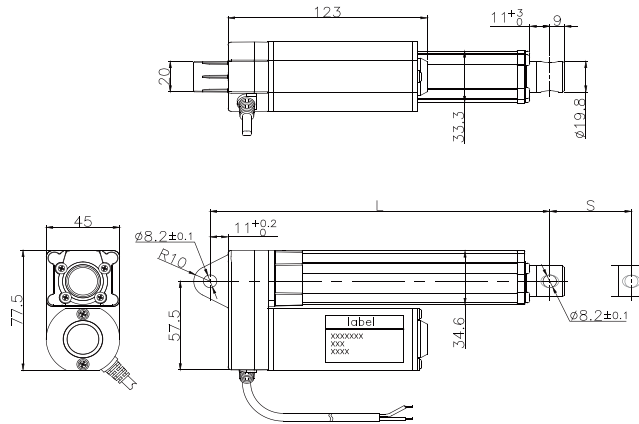


Load and Speed

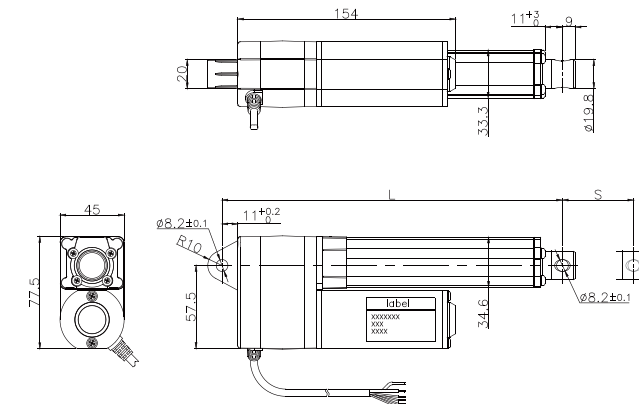
Code	A	B	C	D	E	F	G	H	I	J
Dynamic Load push(N)	2000	1600	1200	700	300	1200	800	600	400	200
Dynamic Load pull(N)	2000	1600	1200	700	300	1200	800	600	400	200
Input(VDC)	12/24/36/48									
Speed at No Load(mm/s)	5	7	10	18	38	8	10	14	28	55
Speed at Full Load(mm/s)	4	5.5	8	14	30	6	8	11	22	45

Dimensions

(1) Dimension standard
 $30 \leq \text{Stroke} < 300, L=S+108$
 (Stroke: 30, speed: 20+, $L \geq 140$)
 $300 \leq \text{Stroke} < 500, L=S+120$
 $500 \leq \text{Stroke} \leq 600, L=S+130$
 Mounting holes 90°(standard)



(2) Dimension with potentiometer
 $30 \leq \text{Stroke} < 300, L=S+140$
 $300 \leq \text{Stroke} < 500, L=S+150$
 $500 \leq \text{Stroke} \leq 600, L=S+160$
 Mounting holes 90°(standard)



Specifications

NKLA60

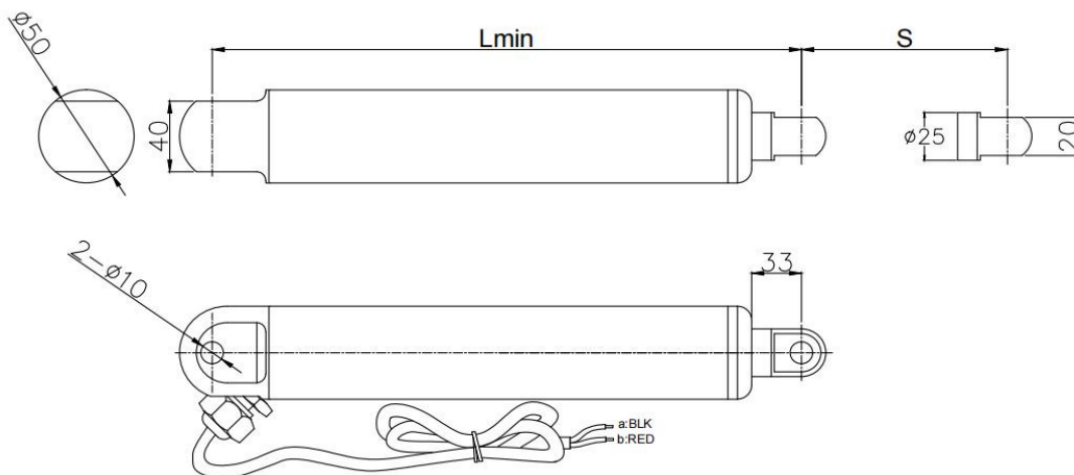
- * Stroke Length: 50~600mm
- * Stainless steel inner tube
- * Limit Switch: Built-in
- * Input: 12/24VDC
- * IP Grade: IP65/IP66
- * Operating Temperature: -25°C~-65°C
- * Noise: ≤55db
- * Min Installation Size: $L_{min}=S+315\pm 2$
- * Option Feature : hall sensor



Load and Speed

Dynamic Load push(N)	1500	3000	5000
Dynamic Load pull(N)	1500	3000	5000
Input(VDC)	12		
No-load Current(A)	1		
Load Current(A)	3.5		
Input(VDC)	24		
No-load Current(A)	0.6		
Load Current(A)	2.5		
No Load Speed(mm/s)	8	4.5	2.4
Load Speed(mm/s)	6.5	3.5	2

Dimensions



S(Stroke)	$30\leq S < 400\text{mm}$	$400\leq S \leq 700\text{mm}$	$700\leq S < 1000\text{mm}$
L_{min}	$S+315$	$S+365$	$S+415$

Specifications

NKLA65

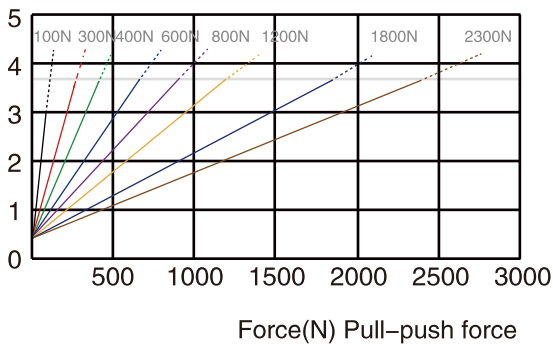
- * Stroke Length: 10~500mm
- * Color: Black
- * IP Grade: IP66, waterproof
- * Operating Temperature: -20°C~+60°C
- * Noise: 50dB
- * Option: Hall sensor; Limit switch; Overload protect



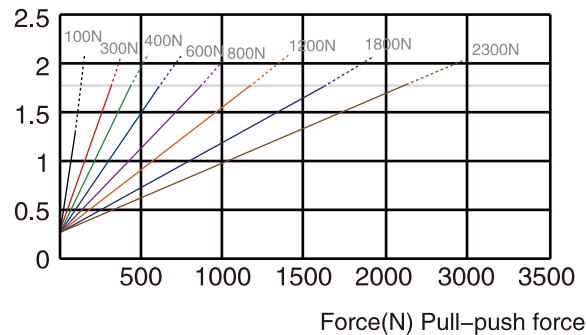
Load and Speed

Dynamic Load push(N)	100	300	400	600	800	1200	1800	2300
Dynamic Load pull(N)	100	300	400	600	800	1200	1800	2300
Self-lock(N)	150	600	600	1600	1600	1800	3600	3450
Input(VDC)	12/24							
Speed(mm/s)	30	17	14	9	7	4.5	3	2.3

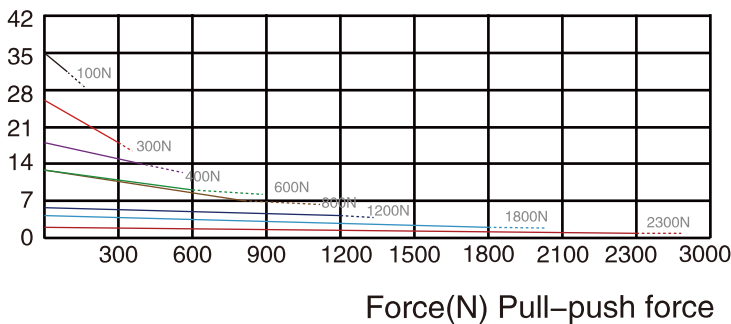
Current (12V)



Current (24V)

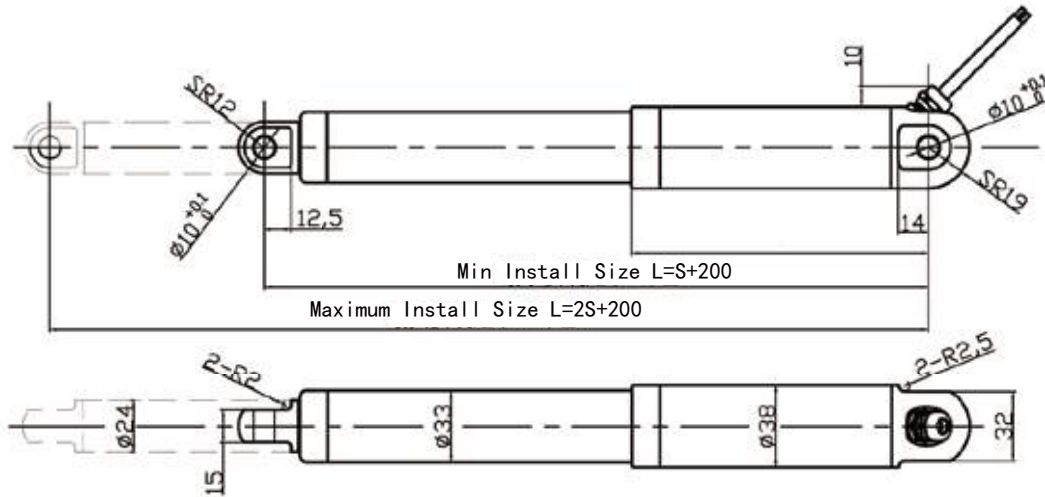


Speed (mm/s)

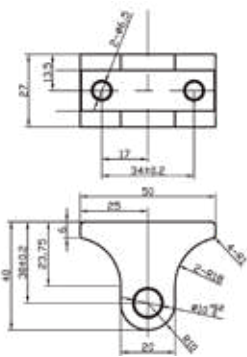


Dimensions

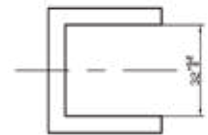
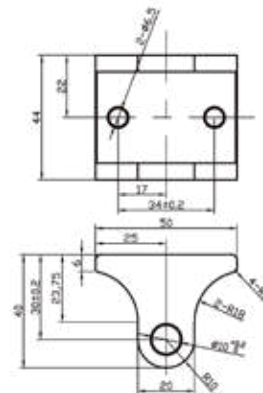
Standard Size:



NKLA65 Min Install Size	[mm]	Stroke Switch		Installation of Hall sensor		Installation of Overcurrent Protector	
		Standard	Mute	Standard	Mute	Standard	Mute
≤ 800N	L+S	200+S	210+S	220+S	220+S	220+S	-
	A	128.5	138.5	148.5	148.5	148.5	-
>800N	L+S	210+S	220+S	230+S	230+S	230+S	-
	A	138.5	148.5	158.5	158.5	158.5	-



Front mounting bracket



Rear mounting bracket

Specifications

NKLA67

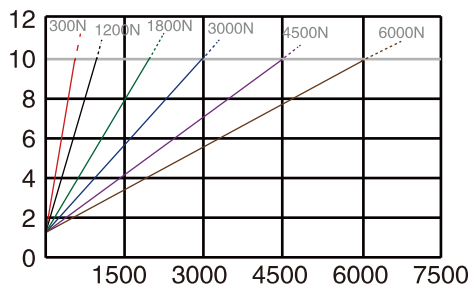
- * Stroke Length: 50~400mm
- * Color: Black
- * IP Grade: IP66, waterproof
- * Operating Temperature: -20°C~+60°C
- * Noise: 75dB
- * Option: Hall sensor; Limit switch



Load and Speed

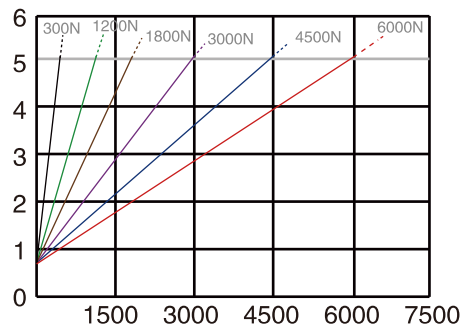
Dynamic Load push(N)	300	1200	1800	3000	4500	5000	6000
Dynamic Load pull(N)	300	1200	1800	3000	4500	5000	6000
Self-lock(N)	600	2400	3600	6000	8000	7500	8000
Input(VDC)	12/24						
Speed(mm/s)	55	15	10	6	4	3	3

Current (12V)



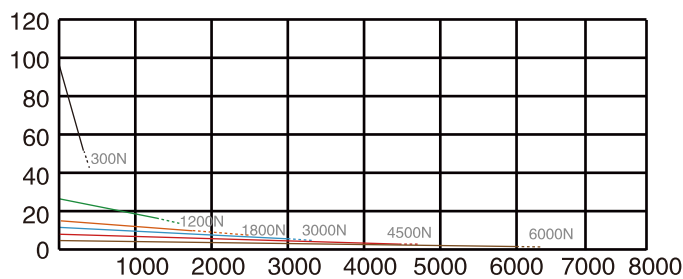
Force(N) Pull-push force

Current (24V)



Force(N) Pull-push force

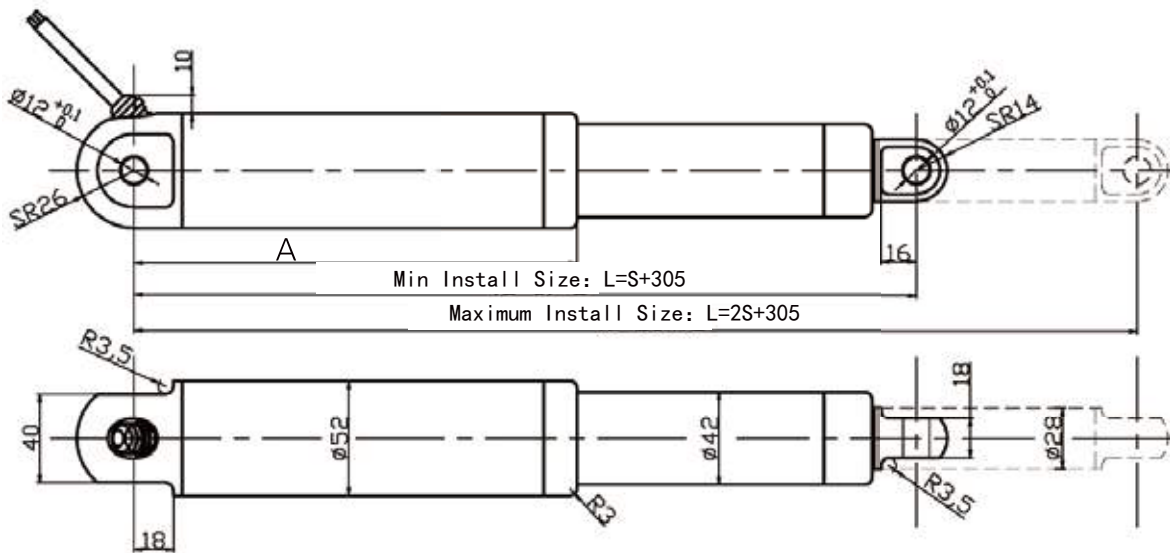
Speed (mm/s)



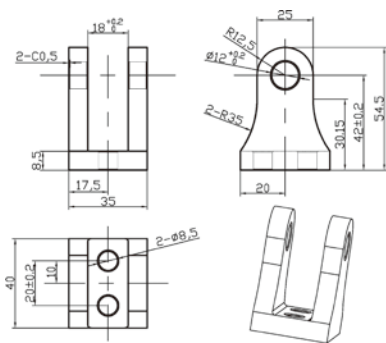
Force(N) Pull-push force

Dimensions

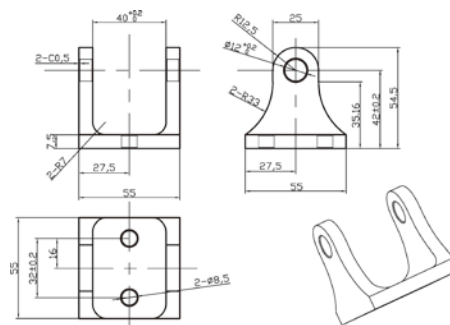
Standard Size:



NKLA67 [mm] Min Install Size	[mm]	Stroke Switch	Hall Sensor	Overcurrent Protector
	L+S		305+S	325+S
A		201	221	221



Front mounting bracket



Rear mounting bracket

Specifications

NKLA68

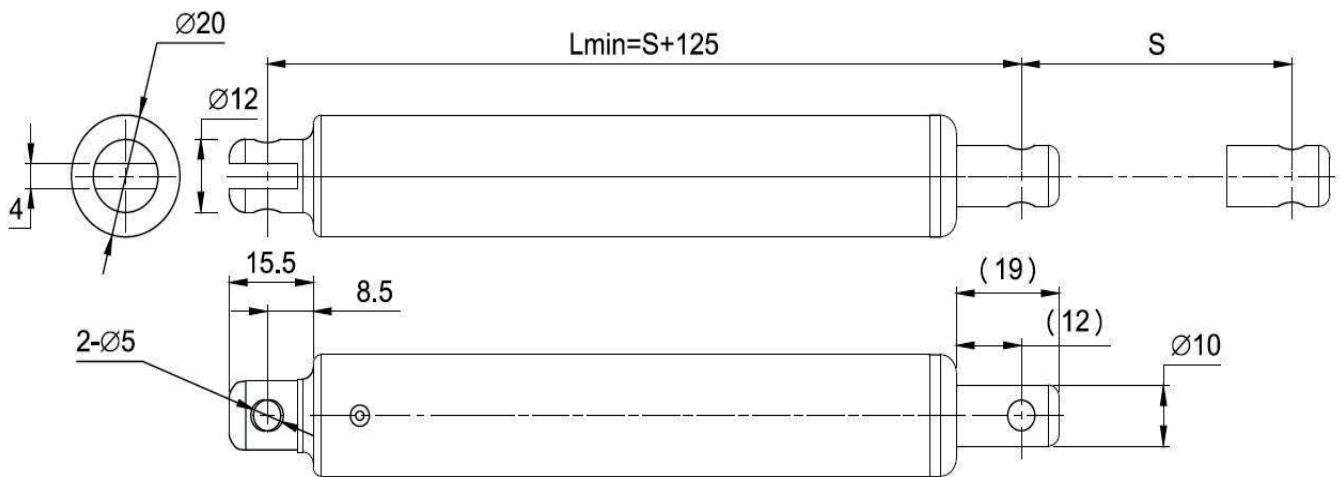
- * Stroke Length: 50~600mm
- * Color: Black/Grey
- * Limit Switch: built-in
- * Overload Protection : Yes
- * IP Grade: IP66
- * Standard: CE
- * Min Installation Size: $L=S+125$
- * Stainless steel inner tube



Load and Speed

Dynamic Load push(N)	30	120
Dynamic Load pull(N)	30	120
Input(VDC)	12	
Current with no load(A)	0.15	0.1
Current with load(A)	0.4	0.4
Input(VDC)	24	
Current with no load(A)	0.08	0.05
Current with load(A)	0.25	0.25
Speed with load(mm/s)	14	7.1
Speed with no load(mm/s)	16.5	8.5

Dimensions



Specifications

NKLA69

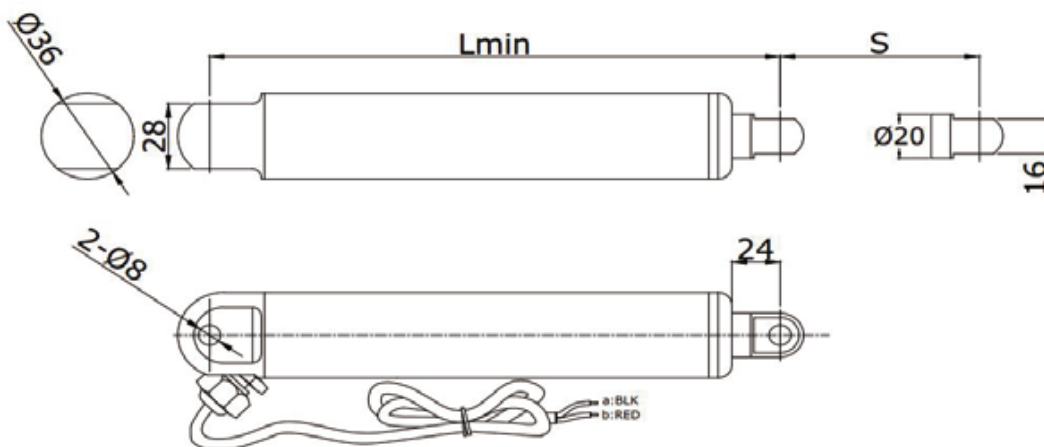
- * Stroke Length: 30mm~ 600mm
- * Color: Black/Silver
- * Limit Switch: built-in
- * IP Grade: IP65
- * Operating Temperature: -25°C~+65°C
- * Noise : 56db
- * Max Laod : 2000N
- * Optional: Hall sensor



Load and Speed

Dynamic Load(N)	2000	1000	750
Speed with no load(mm/s)	9.0	7.5	15.0
Speed with load(mm/s)	6.5	5.5	10.0
Input(VDC)	12		
Current with no load(A)	1.00	0.6	0.6
Current with load(A)	4.0	3.0	3.0
Input(VDC)	24		
Current with no load(A)	0.6	0.3	0.3
Current with load(A)	2.5	1.5	1.5

Dimensions



S(Stroke)	30≤S<300mm	300≤S<400mm	40≤S<600mm
Lmin	S+265	S+295	S+325

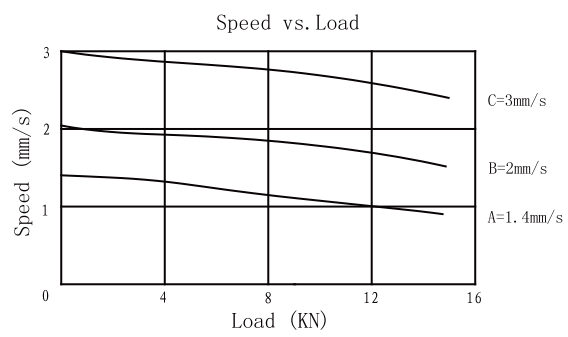
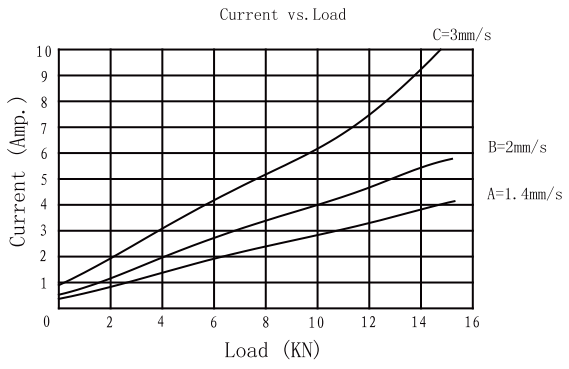
Specifications

NKLA72

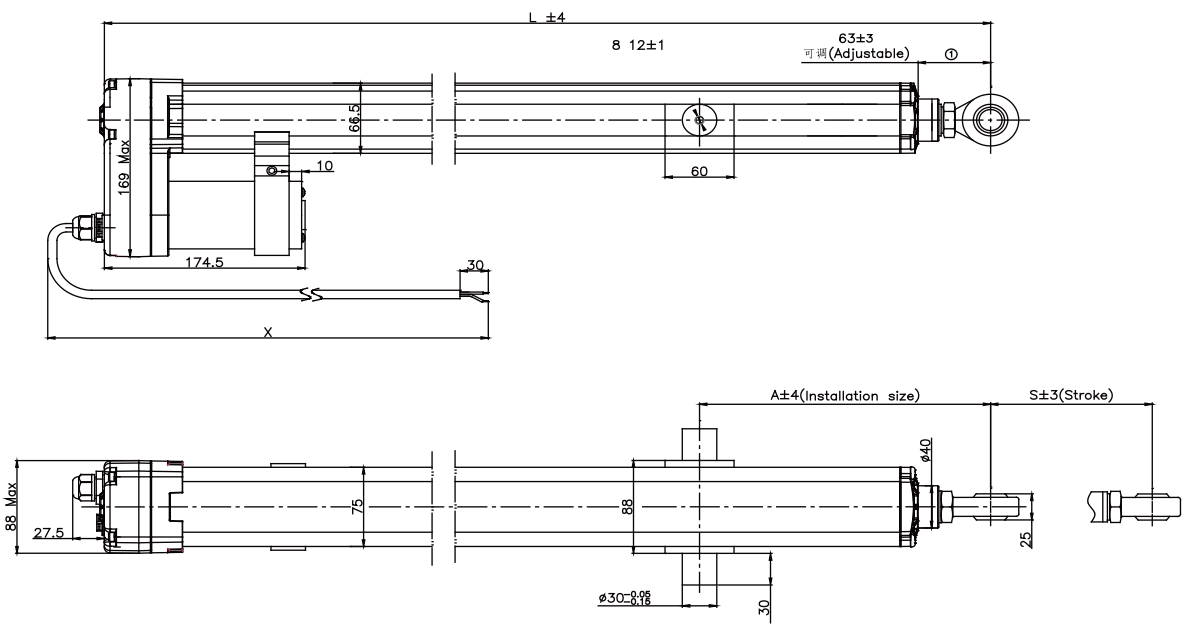
- * Stroke Length: 50~1200mm
- * Load: 10KN-15KN
- * Speed: 1.4mm/s、2mm/s、 3mm/s
- * Aluminum housing, Stainless steel rod
- * Limit Switch: Built-in
- * Overload Protection : Yes
- * Duty Cycle: 10%
- * IP Grade: IP66
- * Operating Temperature: -40°C~+70°C
- * DC 24V permanent magnet motor, special for solar energy
- * 25 years design life
- * Option Feature : hall sensor



Load and Speed



Dimensions



Specifications

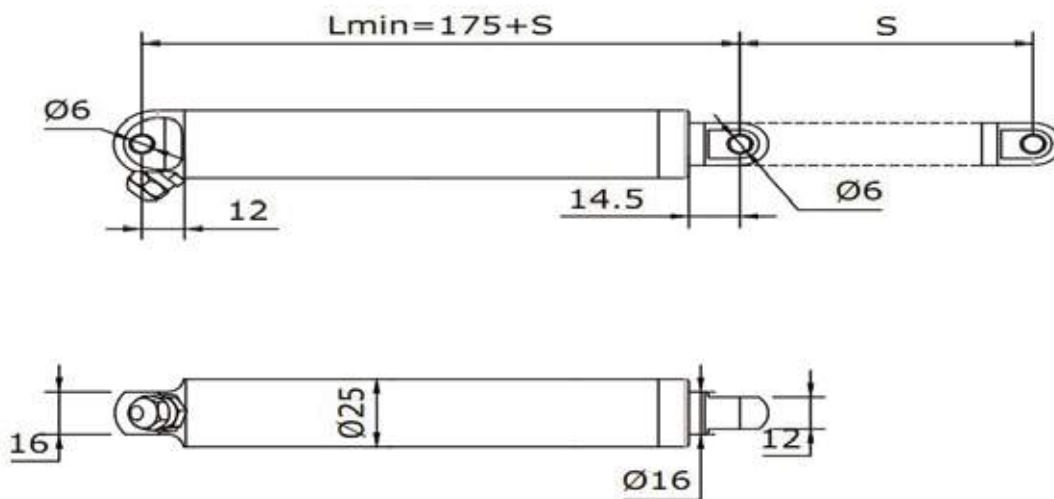
NKLA76

- * Stroke: 50~500mm
- * Limit Switch: Built-in
- * Overload Protection: Yes
- * IP Grade: IP66
- * Min Install Distance: $L=S+175$
- * Noise: $\leq 55\text{db}$
- * Stainless Steel Material
- * Option: Hall sensor



Dynamic Load push(N)	300	500
Dynamic Load pull(N)	300	500
Input(VDC)	12	
No Load Current(A)	0.28	0.25
Load Current(A)	1.4	1.5
Input(VDC)	24	
No Load Current(A)	0.15	0.12
Load Current(A)	0.7	0.8
Load Speed(mm/s)	8	5.2
No Load Speed(mm/s)	10	7

Dimensions



stroke	30-200	201-300	301-500
retracted length	$S+175$	$S+195$	$S+205$

Specifications

NKLA102

- * Stroke Length: 50~400mm
- * Color: Black
- * Limit Switch: Yes
- * Duty Cycle: 10%, max 2min continuous use
- * IP Grade: IP67
- * Operating Temperature: -35°C~+70°C
- * Optional Features: Hall sensor
- * Applicable to industrial solar energy line and medical li



Load and Speed

Dynamic Load Push(N)	2000	3000	2000	1000
Self-locking force(N)	2000	3000	2000	1000
Full load current (A)	5	4.2	4	3.2
Speed at Full Load(mm/s)	4	5.5	8.4	14.6
Speed at no Load(mm/s)	6	8	14.2	18.9
Input(VDC)	12		24	

Dimensions

